



# SERIES V - 24V DCA

MODULATING SIEMENS DAMPER ELECTRIC ACTUATORS  
1" - 4" HIGH PERFORMANCE SEGMENTED BALL VALVES

## SERIES V BALL VALVE

**SERVICE:** Chilled/Hot Water - 50% Glycol  
Steam: 125 psi

**FLOW CHARACTERISTIC:** Equal %

**SIZES:** 1" - 6"

**BODY:** Carbon Steel / Stainless Steel Optional

**BALL:** 304SS

**SHAFT:** 304SS

**SEAT:** TFM 1700

**O-RING:** ALFAS

**BEARING:** PEEK

**TEMPERATURE RANGE:** -20°F to 400°F

**CLOSE OFF:** 250PSI

**END CONNECTIONS:**

1" - 2" : NPT/Wafer ANSI 150/300

3" - 6" : ANSI 150 Flanged or ANSI 300 Flanged

## DAMPER ACTUATORS

**NEMA 2 PROTECTION**

**POWER SUPPLY:** 24VAC ± 20% 50/60Hz  
24VDC ± 10%

**TEMPERATURE RANGE:** -5°F to +125°F

**RUNTIME:** 75 to 150 sec

### POWER CONSUMPTION

**GDE161.1P:** 3.3VA

**GMA161.1P:** 5VA / 3.5W

**GLB161.1P:** 3.3VA

**GCA161.1P:** 7VA / 5W

**GEB161.1P:** 5VA

**GIB161.1P:** 8VA

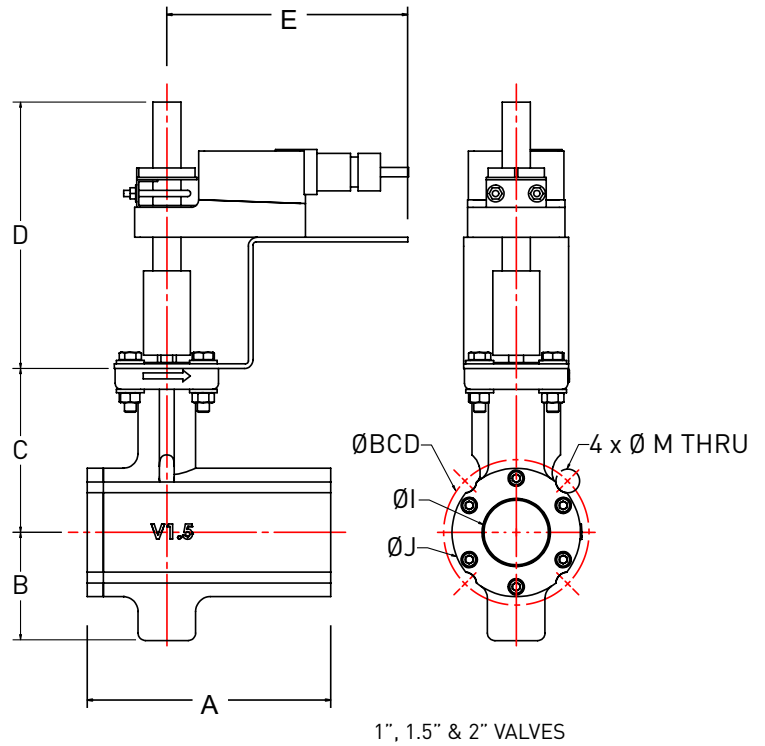
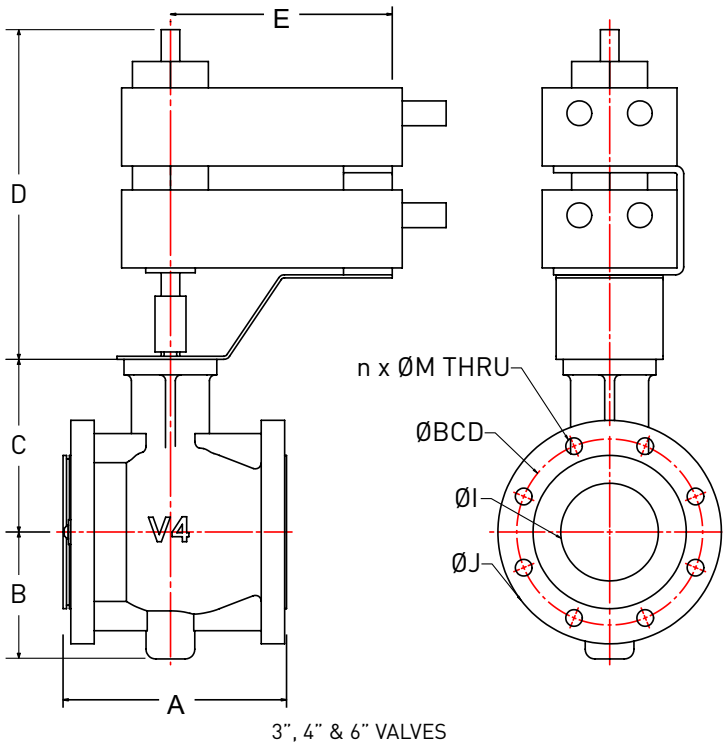
### POWER CONNECTION

1/2" CONDUIT TO 3' CABLE (18 GA)



MODULATING NON-SPRING RETURN ACTUATORS					
INCH	DN(MM)	BODY	Cv 75°	Cv 90°	VSI PN
1"	25	150/300	24	31	V-1/GDE161.1P
1.5"	40	150/300	55	73	V-1.5/GLB161.1P
2"	50	150/300	77	96	V-2/GEB161.1P
3"	80	150	207	270	V-3/GIB161.1P
4"	100	150	350	529	V-4/GIB161.1PX2
MODULATING SPRING RETURN ACTUATORS					
1"	25	150/300	24	31	V-1/GMA161.1P
1.5"	40	150/300	55	73	V-1.5/GCA161.1P
2"	50	150/300	77	96	V-2/GCA161.1P
3"	80	150	207	270	V-3/GCA161.1PX2

### DIMENSIONAL INFORMATION



DIMENSIONS: MM (INCHES)

VALVE SIZE		ACTUATOR	A	B	C	D	E	I	J	BCD	n x M
INCH	DN										
<b>NON-SPRING RETURN ACTUATORS</b>											
1	25	GDE161.1P	127 (5)	65 (2.56)	101 (3.98)	180.55 (7.11)	163.20 (6.43)	1" NPT	Ø70 (2.76)	Ø79.5 (3.13)	4 x 16
1.5	40	GLB161.1P	165 (6.5)	73.2 (2.88)	166.8 (6.57)	180.55 (7.11)	163.20 (6.43)	1.5" NPT	Ø87 (3.43)	Ø98.5 (3.88)	4 x 16
2	50	GEB161.1P	178 (7)	91.5 (3.6)	128.5 (5.06)	180.55 (7.11)	163.20 (6.43)	2" NPT	Ø101 (3.98)	Ø127 (5)	4 x 19
3	80	GIB161.1P	203 (8)	110 (4.33)	152 (5.98)	180.55 (7.11)	234.95 (9.25)	Ø75 (2.95)	Ø190.5 (7.5)	Ø152.4 (6)	4 x ¾"
4	100	GIB161.1PX2	229 (9)	130 (5.12)	177 (6.97)	293.25 (11.55)	234.95 (9.25)	Ø100 (3.94)	Ø229 (9)	Ø190.5 (7.5)	8 x ¾"
<b>SPRING RETURN ACTUATORS</b>											
1	25	GMA161.1P	127 (5)	65 (2.56)	101 (3.98)	180.55 (7.11)	234.95 (9.25)	1" NPT	Ø70 (2.76)	Ø79.5 (3.13)	4 x 16
1.5	40	GCA161.1P	165 (6.5)	73.2 (2.88)	166.8 (6.57)	180.55 (7.11)	234.95 (9.25)	1.5" NPT	Ø87 (3.43)	Ø98.5 (3.88)	4 x 16
2	50	GCA161.1P	178 (7)	91.5 (3.6)	128.5 (5.06)	180.55 (7.11)	234.95 (9.25)	2" NPT	Ø101 (3.98)	Ø127 (5)	4 x 19
3	80	GCA161.1PX2	203 (8)	110 (4.33)	152 (5.98)	206.89 (8.15)	237.5 (9.35)	Ø75 (2.95)	Ø190.5 (7.5)	Ø152.4 (6)	4 x ¾"