



SERIES V - 24V DCA

MODULATING JOHNSON CONTROLS DAMPER ELECTRIC ACTUATORS
1" - 4" HIGH PERFORMANCE SEGMENTED BALL VALVES

SERIES V BALL VALVE

SERVICE: Chilled/Hot Water - 50% Glycol

Steam: 125 psi

FLOW CHARACTERISTIC: Equal %

SIZES: 1" - 6"

BODY: Carbon Steel / Stainless Steel Optional

BALL: 304SS

SHAFT: 304SS

SEAT: TFM 1700

O-RING: ALFAS

BEARING: PEEK

TEMPERATURE RANGE: -20°F to 400°F

CLOSE OFF: 250PSI

END CONNECTIONS:

1" - 2" : NPT/Wafer ANSI 150/300

3" - 6" : ANSI 150 Flanged or ANSI 300 Flanged

DAMPER ACTUATORS

NEMA 2 PROTECTION

POWER SUPPLY: 24VAC ± 20% 50/60Hz

24VDC ± 10%

TEMPERATURE RANGE: -5°F to +125°F

RUNTIME: 75 to 150 sec

POWER CONSUMPTION

M9108-GGA-2: 6.5VA

M9208-GGA-3: 8VA / 3.5W

M9116-GGA-2: 7.5VA

M9220-GGA-3: 20VA / 6.7W

M9132-GGA-2: 7.5VA

POWER CONNECTION

1/2" CONDUIT TO 3' CABLE (18 GA)



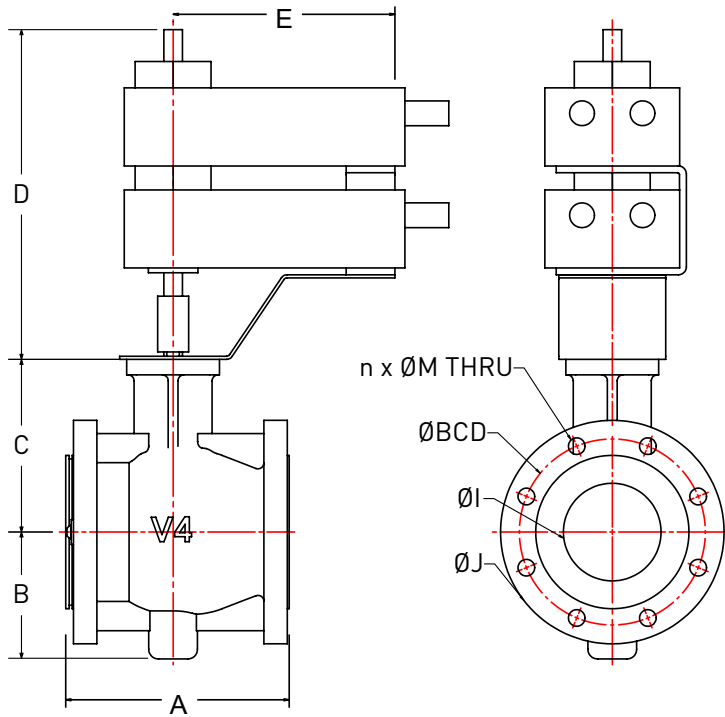
MODULATING NON-SPRING RETURN ACTUATORS					
INCH	DN(MM)	BODY	Cv 75°	Cv 90°	VSI PN
1"	25	150/300	24	31	V-1/M9108-GGA-2
1.5"	40	150/300	55	73	V-1.5/M9116-GGA-2
2"	50	150/300	77	96	V-2/M9116-GGA-2
3"	80	150	207	270	V-3/M9132-GGA-2
4"	100	150	350	529	V-4/M9132-GGA-2X2
MODULATING SPRING RETURN ACTUATORS					
1"	25	150/300	24	31	V-1/M9208-GGA-3
1.5"	40	150/300	55	73	V-1.5/M9220-GGA-3
2"	50	150/300	77	96	V-2/M9220-GGA-3
3"	80	150	207	270	V-3/M9220-GGA-3X2



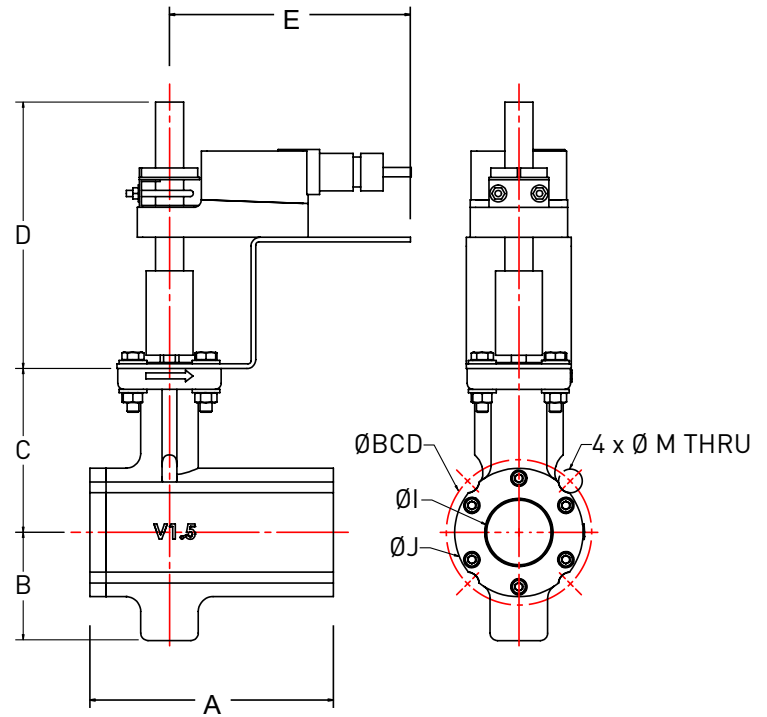
SERIES V - 24V DCA

MODULATING JOHNSON CONTROLS DAMPER ELECTRIC ACTUATORS
1" - 4" HIGH PERFORMANCE SEGMENTED BALL VALVES

DIMENSIONAL INFORMATION



3", 4" & 6" VALVES



1", 1.5" & 2" VALVES

DIMENSIONS: MM (INCHES)

VALVE SIZE		ACTUATOR	A	B	C	D	E	I	J	BCD	n x M
INCH	DN										
NON-SPRING RETURN ACTUATORS											
1	25	M9108-GGA-2	127 (5)	65 (2.56)	101 (3.98)	180.55 (7.11)	163.20 (6.43)	1" NPT	Ø70 (2.76)	Ø79.5 (3.13)	4 x 16
1.5	40	M9116-GGA-2	165 (6.5)	73.2 (2.88)	166.8 (6.57)	180.55 (7.11)	163.20 (6.43)	1.5" NPT	Ø87 (3.43)	Ø98.5 (3.88)	4 x 16
2	50	M9116-GGA-2	178 (7)	91.5 (3.6)	128.5 (5.06)	180.55 (7.11)	163.20 (6.43)	2" NPT	Ø101 (3.98)	Ø127 (5)	4 x 19
3	80	M9132-GGA-2	203 (8)	110 (4.33)	152 (5.98)	180.55 (7.11)	234.95 (9.25)	Ø75 (2.95)	Ø190.5 (7.5)	Ø152.4 (6)	4 x ¼"
4	100	M9132-GGA-2X2	229 (9)	130 (5.12)	177 (6.97)	293.25 (11.55)	234.95 (9.25)	Ø100 (3.94)	Ø229 (9)	Ø190.5 (7.5)	8 x ¼"
SPRING RETURN ACTUATORS											
1	25	M9208-GGA-3	127 (5)	65 (2.56)	101 (3.98)	180.55 (7.11)	234.95 (9.25)	1" NPT	Ø70 (2.76)	Ø79.5 (3.13)	4 x 16
1.5	40	M9220-GGA-3	165 (6.5)	73.2 (2.88)	166.8 (6.57)	180.55 (7.11)	234.95 (9.25)	1.5" NPT	Ø87 (3.43)	Ø98.5 (3.88)	4 x 16
2	50	M9220-GGA-3	178 (7)	91.5 (3.6)	128.5 (5.06)	180.55 (7.11)	234.95 (9.25)	2" NPT	Ø101 (3.98)	Ø127 (5)	4 x 19
3	80	M9220-GGA-3X2	203 (8)	110 (4.33)	152 (5.98)	206.89 (8.15)	237.5 (9.35)	Ø75 (2.95)	Ø190.5 (7.5)	Ø152.4 (6)	4 x ¼"