



SERIES V - 24V DCA

MODULATING BELIMO DAMPER ELECTRIC ACTUATORS
1" - 6" HIGH PERFORMANCE SEGMENTED BALL VALVES

Rev. B

SERIES V BALL VALVE

SERVICE: Chilled/Hot Water - 50% Glycol
Steam: 125 psi
FLOW CHARACTERISTIC: Equal %
SIZES: 1" - 6"
BODY: Carbon Steel / Stainless Steel Optional
BALL: 304SS
SHAFT: 304SS
SEAT: TFM 1700
O-RING: ALFAS
BEARING: PEEK
TEMPERATURE RANGE: -20°F to 400°F
CLOSE OFF: 250PSI
END CONNECTIONS:
1" - 2": NPT/Wafer ANSI 150/300
3" - 6": ANSI 150 Flanged or ANSI 300 Flanged

DAMPER ACTUATORS

NEMA 2 PROTECTION
POWER SUPPLY: 24VAC ± 20% 50/60Hz
24VDC ± 10%
TEMPERATURE RANGE: -5°F to +125°F
RUNTIME: 75 to 150 sec

POWER CONSUMPTION

LMB24-SR: 3VA / 1.5W	NFB24-SR: 6VA / 3.5W
NMB24-SR: 5VA / 2.5W	AFB24-SR: 8.5VA / 5.5W
AMB24-SR: 5VA / 2.5W	EFB24-SR: 14VA / 8W
GMB24-SR: 6.5VA / 4.5W	EFX24-MFT: 16VA / 9.5W
DRX24-MFT-T: 21VA / 12W	DKRX24-MFT: 21VA / 12W

POWER CONNECTION



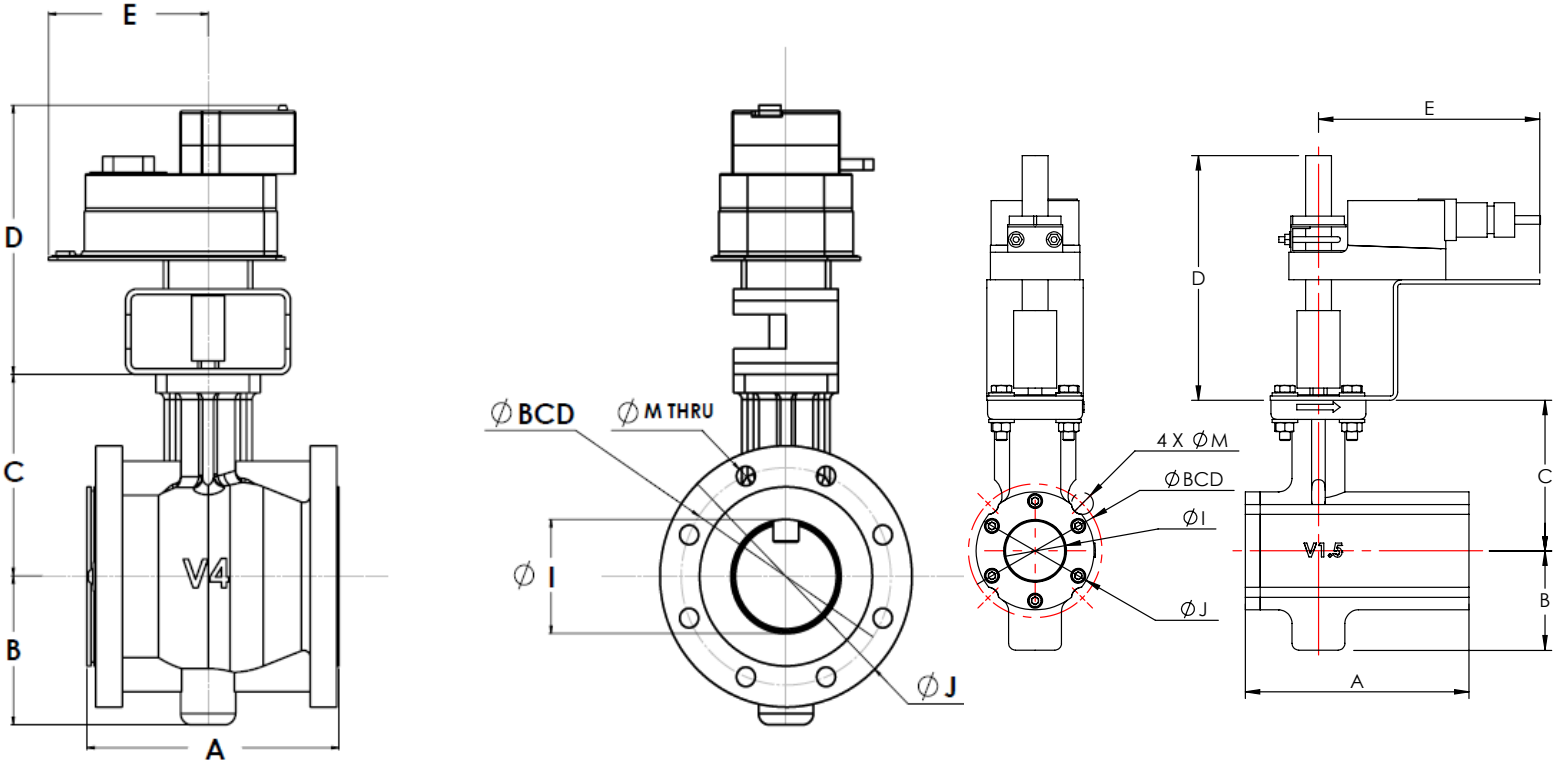
MODULATING NON-SPRING RETURN ACTUATORS					
INCH	DN(MM)	BODY	Cv 75°	Cv 90°	VSI PN
1"	25	150/300	24	31	V-1/LMB24-SR
1.5"	40	150/300	55	73	V-1.5/NMB24-SR
2"	50	150/300	77	96	V-2/AMB24-SR
3"	80	150	207	270	V-3/GMB24-SR
4"	100	150	350	529	V-4/DRX24-MFT-T
6"	150	150	507	850	V-6/DRX24-MFT-T
MODULATING SPRING RETURN ACTUATORS					
1"	25	150/300	24	31	V-1/NFB24-SR
1.5"	40	150/300	55	73	V-1.5/NFB24-SR
2"	50	150/300	77	96	V-2/AFB24-SR
3"	80	150	207	270	V-3/EFB24-SR
4"	100	150	350	529	V-4/DKRX24-MFT-T
6"	150	150	507	850	V-6/DKRX24-MFT-T



SERIES V - 24V DCA

MODULATING BELIMO DAMPER ELECTRIC ACTUATORS
1" - 6" HIGH PERFORMANCE SEGMENTED BALL VALVES

DIMENSIONAL INFORMATION



3", 4" & 6" VALVES

1", 1.5" & 2" VALVES

LINKAGE PROVIDES THERMAL BREAK
DIMENSIONS: MM (INCHES)

VALVE SIZE		ACTUATOR	A	B	C	D	E	I	J	BCD	n x M
INCH	DN										
NON-SPRING RETURN ACTUATORS											
1	25	LMB24-SR	127 (5)	65 (2.56)	101 (3.98)	177.8 (7)	165.1 (6.5)	1" NPT	Ø70 (2.76)	Ø79.5 (3.13)	4 x 16
1.5	40	NMB24-SR	165 (6.5)	73.2 (2.88)	166.8 (6.57)	177.8 (7)	165.1 (6.5)	1.5" NPT	Ø87 (3.43)	Ø98.5 (3.88)	4 x 16
2	50	AMB24-SR	178 (7)	91.5 (3.6)	128.5 (5.06)	177.8 (7)	163.20 (6.43)	2" NPT	Ø101 (3.98)	Ø127 (5)	4 x 19
3	80	GMB24-SR	203 (8)	110 (4.33)	152 (5.98)	177.8 (7)	234.95 (9.25)	Ø75 (2.95)	Ø190.5 (7.5)	Ø152.4 (6)	4 x ¾"
4	100	DRX24-MFT-T	229 (9)	130 (5.12)	177 (6.97)	235.97 (9.29)	145.03 (5.71)	Ø100 (3.94)	Ø229 (9)	Ø190.5 (7.5)	8 x ¾"
6	150	DRX24-MFT-T	266.5 (10.5)	152.5 (6)	202.7 (7.98)	235.97 (9.29)	145.03 (5.71)	Ø142 (5.59)	Ø279 (11)	Ø241.3 (9.5)	8 x 7/8"
SPRING RETURN ACTUATORS											
1	25	NFB24-SR	127 (5)	65 (2.56)	101 (3.98)	177.8 (7)	165.1 (6.5)	1" NPT	Ø70 (2.76)	Ø79.5 (3.13)	4 x 16
1.5	40	NFB24-SR	165 (6.5)	73.2 (2.88)	166.8 (6.57)	177.8 (7)	165.1 (6.5)	1.5" NPT	Ø87 (3.43)	Ø98.5 (3.88)	4 x 16
2	50	AFB24-SR	178 (7)	91.5 (3.6)	128.5 (5.06)	177.8 (7)	234.95 (9.25)	2" NPT	Ø101 (3.98)	Ø127 (5)	4 x 19
3	80	EFB24-SR	203 (8)	110 (4.33)	152 (5.98)	203.2 (8)	237.5 (9.35)	Ø75 (2.95)	Ø190.5 (7.5)	Ø152.4 (6)	4 x ¾"
4	100	DKRX24-MFT-T	229 (9)	130 (5.12)	177 (6.97)	235.97 (9.29)	145.03 (5.71)	Ø100 (3.94)	Ø229 (9)	Ø190.5 (7.5)	8 x ¾"
6	150	DKRX24-MFT-T	266.5 (10.5)	152.5 (6)	202.7 (7.98)	235.97 (9.29)	145.03 (5.71)	Ø142 (5.59)	Ø279 (11)	Ø241.3 (9.5)	8 x 7/8"