



SERIES V - SERIES C

SPRING RETURN HIGH PRESSURE PNEUMATIC ACTUATORS
8"-12" HIGH PERFORMANCE SEGMENTED BALL VALVES

REV. A

SERIES V BALL VALVE

SERVICE: Chilled/Hot Water - 50% Glycol
Steam: 125 psi

FLOW CHARACTERISTIC: Equal %

SIZES: 8" - 12"

BODY: Carbon Steel

BALL: 304SS

SHAFT: 304SS

SEAT: TFM 1700

O-RING: ALFAS

BEARING: PEEK

TEMPERATURE RANGE: -20°F to 400°F

CLOSE OFF: 285PSI

END CONNECTIONS: ANSI 150 Flanged



SERIES C ACTUATOR

MINIMUM AIR SUPPLY: 40 psi

MAXIMUM AIR SUPPLY: 130 psi

TORQUE RANGE: 124 - 40519 in/lb (~80 psi)

HOUSING: Die Cast Aluminum Alloy

TEMPERATURE: 0°C to +80°C

-20°C to +80°C with dry air

-40°C to +150°C in special execution

OPERATING MEDIA: Compressed filtered air

Standard NAMUR mounts for optional accessories

SPRING RETURN OPERATION (SR)

FAIL CCW

Air is supplied to Port A forcing the pistons to compress the springs and rotating the drive pinion clockwise. Air failure (loss of pressure) allows the compressed springs to force the pistons to rotate the drive pinion in the counter-clockwise direction.

FAIL CW

Air is supplied to Port A forcing the pistons to compress the springs and rotating the drive pinion counter-clockwise. Air failure (loss of pressure) allows the compressed springs to force the pistons to rotate the drive pinion in the clockwise direction.

OPTIONAL CONTROL ACCESSORIES

2-POSITION OPEN/CLOSE

The Series C actuator can simply be controlled by applying pressure directly to the ports with the visual position indicator showing current position. Alternatively the following accessories are available:

- ASCO WT8551 or other solenoid valve to control the valve with an electrical signal.
- The VSI Series ALS-100 or other limit switch box to provide remote indication of open/close position
- Speed control mufflers to control movement speed

MODULATION POSITION CONTROL

For modulating control the Series C actuator can be provided with P-P pneumatic or E-P electro-pneumatic positioners. Enclosure ratings and other features to match project requirements are available.

SERIES V with SPRING RETURN ACTUATORS

INCH	DN(MM)	BODY	Cv 75°	Cv 90°	VSI PART NUMBER
8"	200	150	865	1455	V-8/C-SR160
10"	250	150	1550	2600	V-10/C-SR190
12"	300	150	1905	3200	V-12/C-SR210

ASCO 8551 Direct Mount Solenoid (Optional)

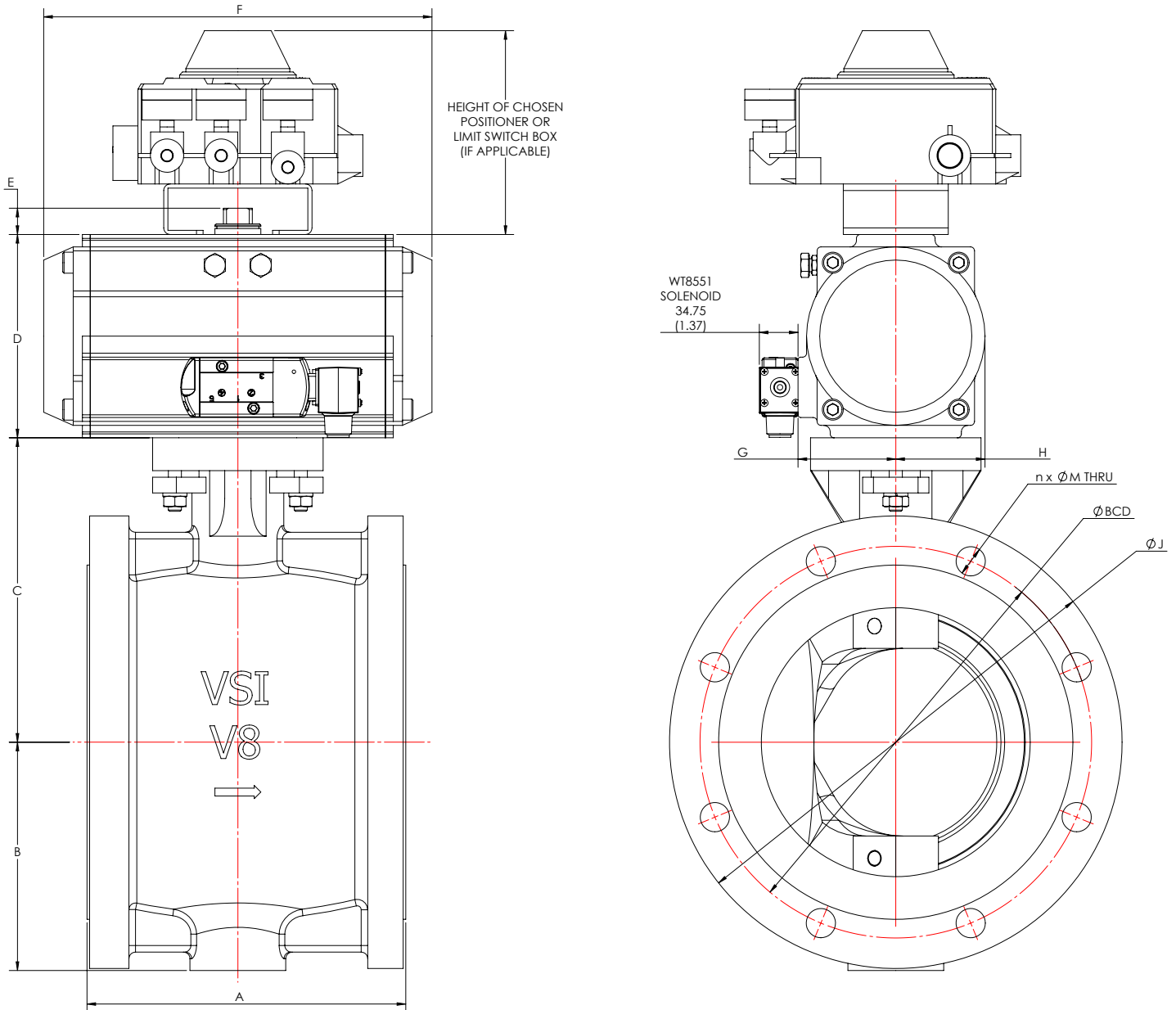
Watt Rating and Power Consumption			
DC Watts	AC Watts	VA Holding	VA Inrush
6.9	6.3	7	10.1
Temperature Range: AC 5°F to 140°F [-15°C to 60°C] DC 5°F to 77°F [-15°C to 25°C]			

ALS-100 Limit Switch (Optional)

Position Indicator	Polycarbonate Dome
Switches	2x SPDT 5A 125-250 VAC micro-switches
Terminal Strip	Standard 8 Points
Cable Entry	2x 1/2" NPT
Mounting	NAMUR Standard shaft and bracket

*Additional control accessories available on request

DIMENSIONAL INFORMATION



DIMENSIONS: ^{MM}
[INCHES]

VALVE SIZE		ACTUATOR	A	B	C	D	E	F	G	H	J	BCD	n x M
INCH	DN												
8	200	C-SR160	243 [9.57]	174 [6.85]	232 [9.13]	197 [7.76]	20 [0.79]	458 [18.03]	87 [3.43]	87 [3.43]	345 [13.58]	298.5 [11.75]	8 x 7/8"
10	250	C-SR190	297 [1.69]	212 [8.35]	260 [10.24]	230 [9.06]	30 [1.18]	525 [20.67]	103 [4.06]	103 [4.06]	405 [15.94]	362 [14.25]	12 x 1"
12	300	C-SR210	338 [13.31]	256 [10.08]	303 [11.93]	255 [10.04]	30 [1.18]	532 [20.94]	113 [4.45]	113 [4.45]	485 [19.09]	432 [17.00]	12 x 1"

*Additional control accessories available on request