



SERIES V - SERIES C

DIRECT ACTING HIGH PRESSURE PNEUMATIC ACTUATORS
8"-12" HIGH PERFORMANCE SEGMENTED BALL VALVES

REV. A

SERIES V BALL VALVE

SERVICE: Chilled/Hot Water - 50% Glycol
Steam: 125 psi

FLOW CHARACTERISTIC: Equal %

SIZES: 8" - 12"

BODY: Carbon Steel

BALL: 304SS

SHAFT: 304SS

SEAT: TFM 1700

O-RING: ALFAS

BEARING: PEEK

TEMPERATURE RANGE: -20°F to 400°F

CLOSE OFF: 285PSI

END CONNECTIONS: ANSI 150 Flanged



SERIES C ACTUATOR

MINIMUM AIR SUPPLY: 40 psi

MAXIMUM AIR SUPPLY: 130 psi

TORQUE RANGE: 124 - 40519 in/lb (~80 psi)

HOUSING: Die Cast Aluminum Alloy

TEMPERATURE: 0°C to +80°C

-20°C to +80°C with dry air

-40°C to +150°C in special execution

OPERATING MEDIA: Compressed filtered air

Standard NAMUR mounts for optional accessories

DOUBLE ACTING OPERATION (DA)

CCW

Air is supplied to Port A forcing the pistons away from each other (towards ends), rotating the drive pinion counter-clockwise and exhausting air out of Port B

CW

Air is supplied to Port B forcing the pistons toward each other (towards center), rotating the drive pinion clockwise and exhausting air out of Port A

OPTIONAL CONTROL ACCESSORIES

2-POSITION OPEN/CLOSE

The Series C actuator can simply be controlled by applying pressure directly to the ports with the visual position indicator showing current position. Alternatively the following accessories are available:

- ASCO WT8551 or other solenoid valve to control the valve with an electrical signal.
- The VSI Series ALS-100 or other limit switch box to provide remote indication of open/close position
- Speed control mufflers to control movement speed

MODULATION POSITION CONTROL

For modulating control the Series C actuator can be provided with P-P pneumatic or E-P electro-pneumatic positioners. Enclosure ratings and other features to match project requirements are available.

*Additional control accessories available on request

SERIES V with DIRECT ACTING ACTUATORS

| INCH | DN(MM) | BODY | Cv 75° | Cv 90° | VSI PART NUMBER |
|------|--------|------|--------|--------|-----------------|
| 8" | 200 | 150 | 865 | 1455 | V-8/C-DA125 |
| 10" | 250 | 150 | 1550 | 2600 | V-10/C-DA140 |
| 12" | 300 | 150 | 1905 | 3200 | V-12/C-DA160 |

ASCO 8551 Direct Mount Solenoid (Optional)

| Watt Rating and Power Consumption | | | |
|--|----------|------------|-----------|
| DC Watts | AC Watts | VA Holding | VA Inrush |
| 6.9 | 6.3 | 7 | 10.1 |
| Temperature Range: AC 5°F to 140°F [-15°C to 60°C] DC 5°F to 77°F [-15°C to 25°C] | | | |

ALS-100 Limit Switch (Optional)

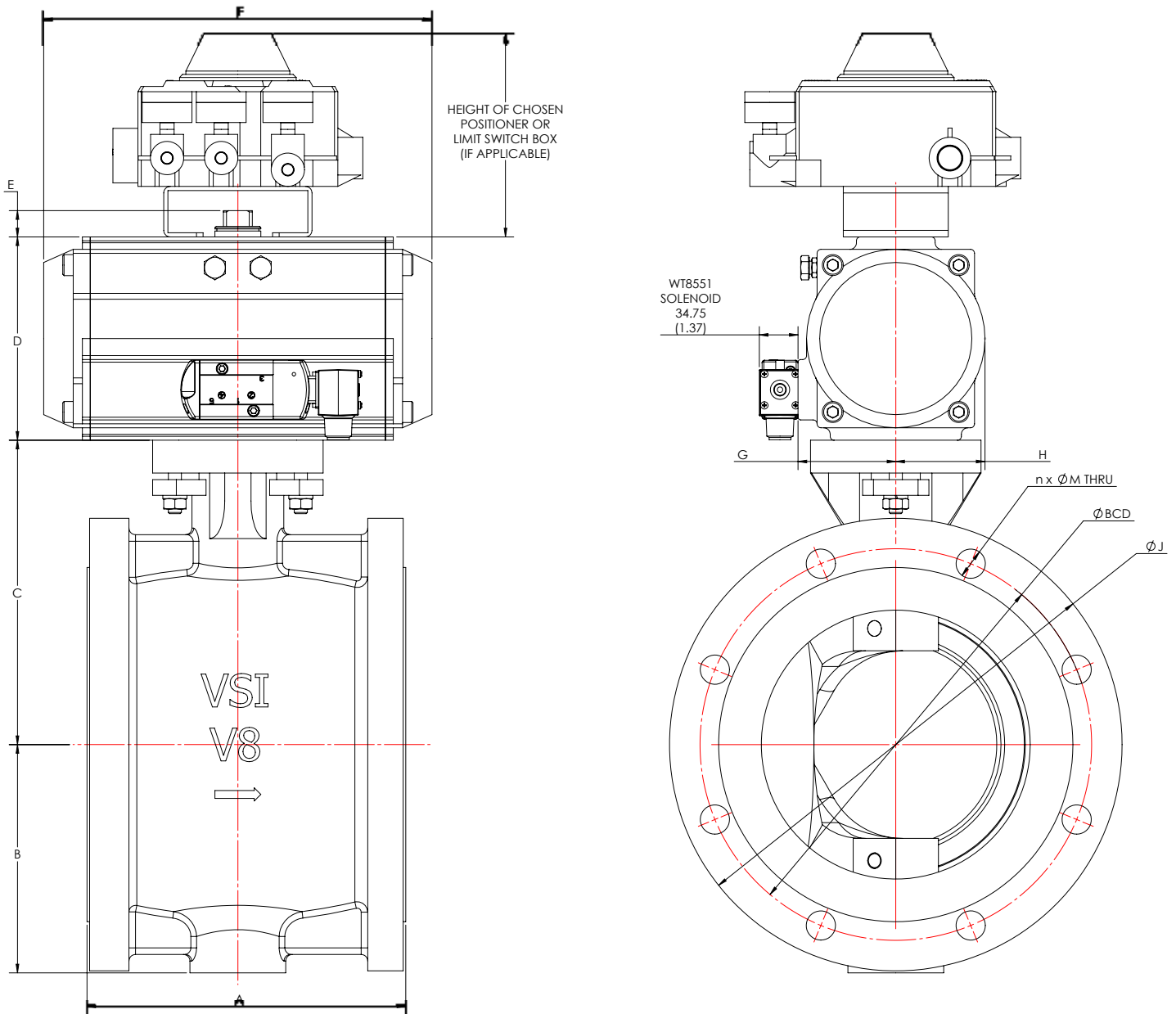
| | |
|--------------------|---------------------------------------|
| Position Indicator | Polycarbonate Dome |
| Switches | 2x SPDT 5A 125-250 VAC micro-switches |
| Terminal Strip | Standard 8 Points |
| Cable Entry | 2x 1/2" NPT |
| Mounting | NAMUR Standard shaft and bracket |



SERIES V - SERIES C

DIRECT ACTING HIGH PRESSURE PNEUMATIC ACTUATORS
8"-12" HIGH PERFORMANCE SEGMENTED BALL VALVES

DIMENSIONAL INFORMATION



DIMENSIONS: ^{MM}_[INCHES]

| VALVE SIZE | | ACTUATOR | A | B | C | D | E | F | G | H | J | BCD | n x M |
|------------|-----|----------|----------------|----------------|----------------|-----------------|--------------|----------------|----------------|----------------|----------------|------------------|----------|
| INCH | DN | | | | | | | | | | | | |
| 8 | 200 | C-DA125 | 243 [9.57] | 174 [6.85] | 232 [9.13] | 145.5 [5.73] | 20 [0.79] | 301 [11.85] | 74.5 [2.93] | 67.5 [2.66] | 345 [13.58] | 298.5 [11.75] | 8 x 7/8" |
| 10 | 250 | C-DA140 | 297 [1.69] | 212 [8.35] | 260 [10.24] | 161 [6.34] | 20 [0.79] | 390 [15.35] | 77 [3.03] | 75 [2.95] | 405 [15.94] | 362 [14.25] | 12 x 1" |
| 12 | 300 | C-DA160 | 338 [13.31] | 256 [10.08] | 303 [11.93] | 184 [7.24] | 20 [0.79] | 458 [18.03] | 87 [3.43] | 87 [3.43] | 485 [19.09] | 432 [17.00] | 12 x 1" |

*Additional control accessories available on request