



# SERIES V - SERIES 1000-X

INDUSTRIAL 2 POSITION ELECTRIC ACTUATORS  
8" - 12" HIGH PERFORMANCE SEGMENTED BALL VALVES

## SERIES V BALL VALVE

**SERVICE:** Chilled/Hot Water - 50% Glycol

Steam: 125 psi

**FLOW CHARACTERISTIC:** Equal %

**SIZES:** 8" - 12"

**BODY:** Carbon Steel

**BALL:** 304SS

**SHAFT:** 304SS

**SEAT:** TFM 1700

**O-RING:** ALFAS

**BEARING:** PEEK

**TEMPERATURE RANGE:** -20°F to 400°F

**CLOSE OFF:** 285PSI

**END CONNECTIONS:**

8" - 12" : ANSI 150 Flanged

## SERIES 1000-X 2 POSITION ACTUATOR

**Non-Spring Return Electric 2 Pos/Floating Actuator**

**MOTOR:** 120VAC, 220VAC or 24VAC (24VAC for 8"-10" Only)

**TORQUE RANGE:** 3,540 - 8,851 in/lbs

**HOUSING:** Die Cast Aluminum - NEMA 4

**PROTECTION:** Thermal Overload Protection

**LIMIT SWITCHES:** 2x SPDT Aux. Limit Open/Closed

**POSITION INDICATOR:** Mechanical Dome

**CONDUIT ENTRIES:** 2 x 1/2" NPT

**POWER GEARS:** Alloy Steel and Aluminum Bronze

**BEARINGS:** Alloy Steel Sleeve and Ball Bearings

**CERTIFICATIONS:** CE, NRTL, NEMA 4, CSA File 226201

**INTERNAL HEATER:** Standard

**MANUAL OVERRIDE POWER SWITCH:** Standard on all units except 24V models

**MANUAL OVERRIDE:** Allen Handle Standard  
Optional Handwheel



### SERIES 1000-X SPECIFICATIONS - 2 POSITION

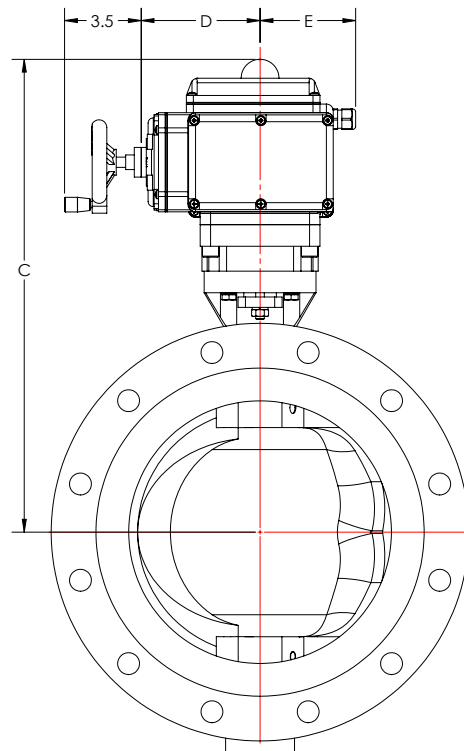
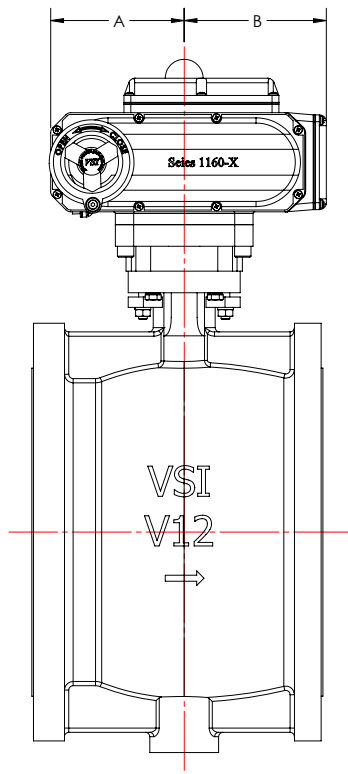
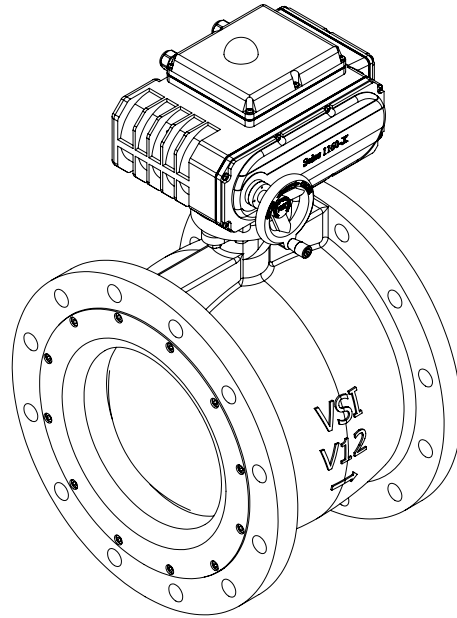
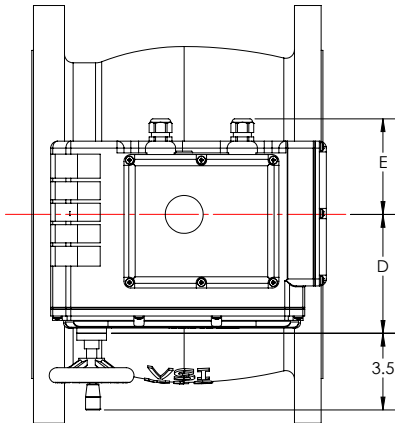
MODEL	1020-X	1040-X	1060-X
Output Torque (in-lb)	1770	3540	5310
Output Torque (Nm)	200	400	600
Duty Cycle	80%	80%	80%
Travel Speed @ 60Hz (Sec)	25	30	45
Max Current (Amp @ 110/220VAC)	1.68/0.78	3.41/1.78	3.60/1.87
Run Current (AMP @ 110/220VAC)	0.73/0.45	1.12/0.57	1.18/0.60
Max Current (Amp @ 24VAC)	5.30	7.25	N/A
Run Current (Amp @ 24VAC)	3.24	6.9	N/A
Enclosure Rating	<b>WATERTIGHT NEMA 4</b>		

SERIES V with MODULATING ACTUATORS					
INCH	DIN (MM)	BODY	Cv 75°	Cv 90°	VSI PN
8"	200	150	865	1455	V-08/1020-X-24VAC
					V-08/1020-X
10"	250	150	1550	2600	V-10/1040-X-24VAC*
					V-10/1040-X
12"	300	150	1905	3200	V-12/1060-X



# SERIES V - SERIES 1000-X

INDUSTRIAL 2 POSITION ELECTRIC ACTUATORS  
8" - 12" HIGH PERFORMANCE SEGMENTED BALL VALVES



VALVE SIZE		A	B	C	D	E	WEIGHT (LBS)
IN	DN (MM)						
8	200	4.76	5.28	17.7	3.74	3.43	176
10	250	4.76	5.28	18.8	3.74	3.43	242
12	300	4.76	5.28	21.5	3.74	3.43	355