



SERIES V - SERIES 1000-X

INDUSTRIAL MODULATING ELECTRIC ACTUATORS
8" - 12" HIGH PERFORMANCE SEGMENTED BALL VALVES

SERIES V BALL VALVE

SERVICE: Chilled/Hot Water - 50% Glycol
Steam: 125 psi

FLOW CHARACTERISTIC: Equal %

SIZES: 8" - 12"

BODY: Carbon Steel

BALL: 304SS

SHAFT: 304SS

SEAT: TFM 1700

O-RING: ALFAS

BEARING: PEEK

TEMPERATURE RANGE: -20°F to 400°F

CLOSE OFF: 285PSI

END CONNECTIONS: ANSI 150 Flanged



SERIES 1000-X MODULATING ACTUATOR

Non-Spring Return Electric Modulating Actuator

MOTOR: 120VAC, 220VAC or 24VAC (24VAC for 8" - 10" Only)

TORQUE RANGE: 3,540 - 8,851 in/lbs

HOUSING: Die Cast Aluminum - NEMA 4

CONTROL SIGNAL: 4-20mA or 2-10VDC

FEEDBACK: 4-20mA

RESOLUTION: 80 Steps (4-20mA) 200 Steps (2-10VDC)

PROTECTION: Thermal Overload Protection

POSITION INDICATOR: Mechanical Dome

CONDUIT ENTRIES: 2 x 1/2" NPT

POWER GEARS: Alloy Steel and Aluminum Bronze

BEARINGS: Alloy Steel Sleeve and Ball Bearings

CERTIFICATIONS: CE, NRTL, NEMA 4, CSA File 226201

INTERNAL HEATER: Standard

MANUAL OVERRIDE POWER SWITCH: Standard on all units except 24V models

MANUAL OVERRIDE: Allen Handle Standard

SERIES 1000-X SPECIFICATIONS - MODULATING

SERIES V with MODULATING ACTUATORS					
INCH	DIN (MM)	BODY	Cv 75°	Cv 90°	VSI PN
8"	200	150	865	1455	V-08/1020/S-X-24VAC*
					V-08/1020/S-X
10"	250	150	1550	2600	V-10/1040/S-X-24VAC*
					V-10/1040/S-X
12"	300	150	1905	3200	V-12/1060/S-X

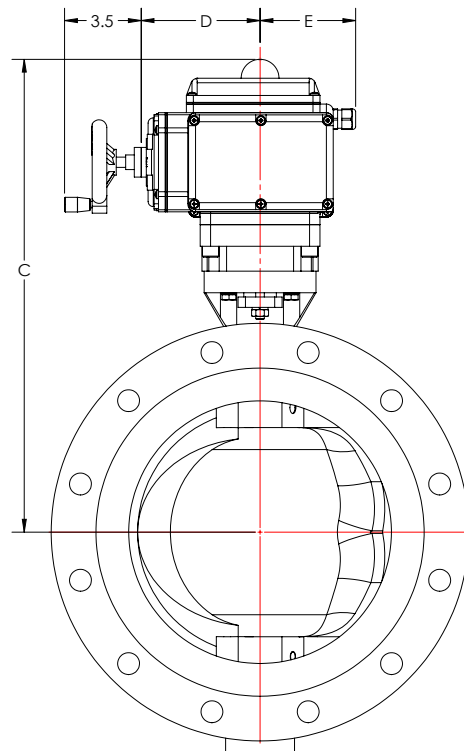
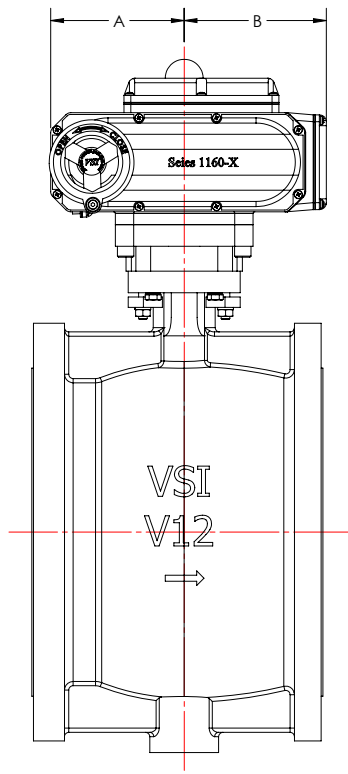
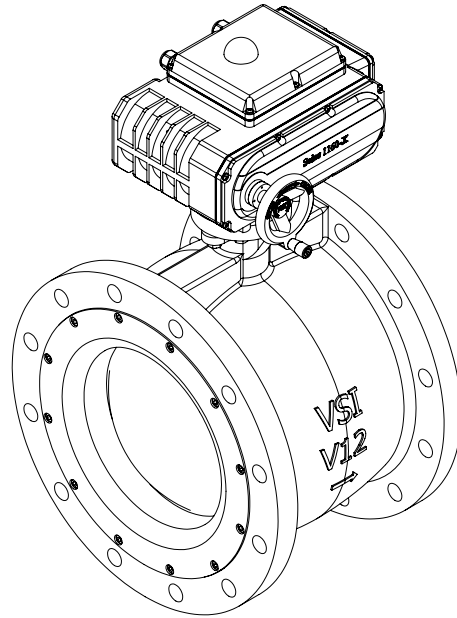
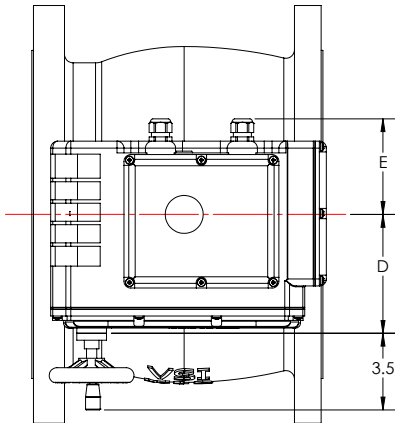
*Please specify 2-10VDC or 4-20mA control signal when ordering.

MODEL	1020/S-X	1040/S-X	1060/S-X
Output Torque (in-lb)	1770	3540	5310
Output Torque (Nm)	200	400	600
Duty Cycle	80%	80%	80%
Travel Speed @ 60Hz (Sec)	25	30	45
Max Current (Amp @ 110/220VAC)	1.68/0.78	3.41/1.78	3.60/1.87
Run Current (Amp @ 110/220VAC)	0.73/0.45	1.12/0.57	1.18/0.60
Max Current (Amp @ 24VAC)	5.3	8.4	N/A
Run Current (Amp @ 24VAC)	3.24	7.9	N/A
Input Signal	Switchable 2-10VDC or 4-20mA *		
Output Signal	4-20mA		
Enclosure Rating	WATERTIGHT NEMA 4		



SERIES V - SERIES 1000-X

INDUSTRIAL MODULATING ELECTRIC ACTUATORS
8" - 12" HIGH PERFORMANCE SEGMENTED BALL VALVES



VALVE SIZE		A	B	C	D	E	WEIGHT (LBS)
IN	DN (MM)						
8	200	4.76	5.28	17.7	3.74	3.43	176
10	250	4.76	5.28	18.8	3.74	3.43	242
12	300	4.76	5.28	21.5	3.74	3.43	355