

FlowCon Insulation Shells

Insulation shells for FlowCon valves



SPECIFICATIONS

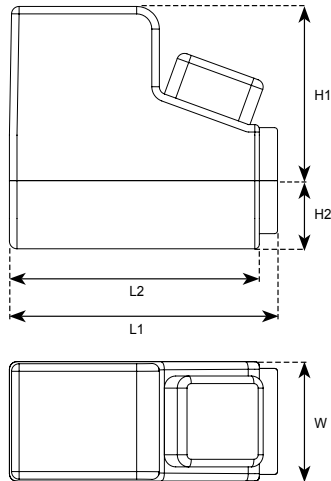
Temperature rating:	-55°C to +105°C / -67°F to +221°F
Material:	EPP (polypropylene foam)
Density:	40 g/l
Thermal conductivity:	38 mW/(m*k), according to DIN52612
Fire rating:	F, according to EN13501-1
Resistant to:	Water, sea water, glycol, silicone grease, alcohol (ethanol), soaps, deterative solutions (10% Extran MA01), mild acids (10% Nitric acid, 10% Sulfuric acid, 10% Hydrochloric acid).

DIMENSIONS AND WEIGHTS (NOMINAL) (measured in inch unless noted)

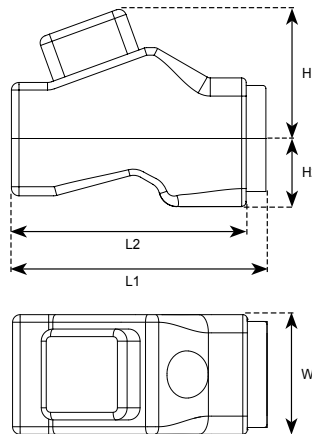
Model no.	Fits	L1	L2	W	H1	H2	Weight (lbs.)
IF3890	F3890.4	4.72	-	6.69	2.48	1.77	0.132
IA	A 1/2"-1" with: - E-JUST ¹ - Composite ¹ - Strainer - Strainer w. drain valve	6.97	6.50	3.11	4.53	1.77	0.088
IAB	AB 1/2"-1" small with: - E-JUST ¹ - Composite ¹ - Strainer - Strainer w. drain valve	6.97	6.50	3.11	4.53	1.77	0.088
IEVC	EVC 1/2"-3/4" with: - E-JUST - Composite	6.61	6.10	3.11	3.35	1.77	0.088
IEVS	A 1/2"-1" with EVS AB 1/2"-1" small with EVS	6.97	6.50	3.11	3.35	1.77	0.066
IGreen	A 1/2"-1" with Green.0/1 AB 1/2"-1" small with Green.0/1 ABV 1/2"-1" small with Green.0/1 ¹	6.97	6.50	3.11	3.35	1.97	0.066
ITJUST	A 1/2"-1" with T-JUST AB 1/2"-1" small with T-JUST ABV 1/2"-1" small with T-JUST	6.97	6.50	3.11	3.35	1.97	0.066
IF3900	By-Pass assembly consisting of F3900.2, AB 20 and FlowCon IVC strainer	10.24	-	7.48	3.35	4.13	0.310

Note 1: Not applicable if the insulation shell is combined with IF3890.

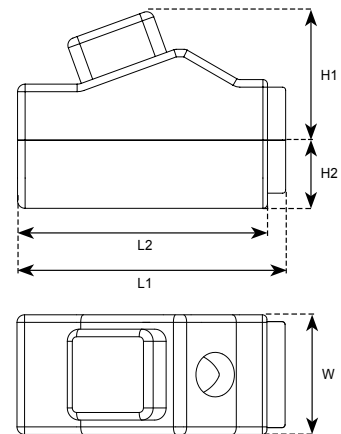
Insulation Shell - FlowCon IA / IAB



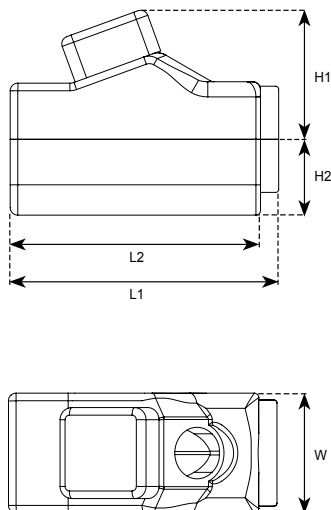
Insulation Shell - FlowCon IEVC



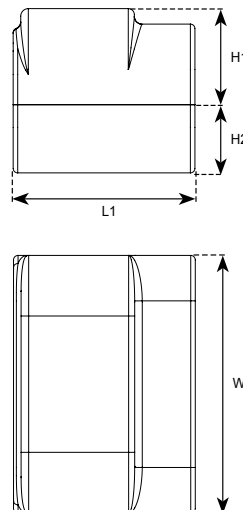
Insulation Shell - FlowCon IEVS



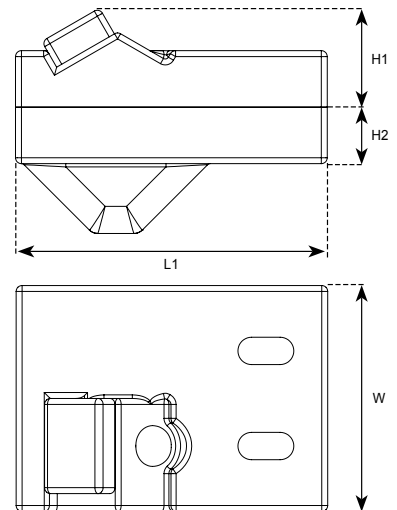
Ins. Shell - FlowCon IGreen / ITJUST



Insulation Shell - FlowCon IF3890



Insulation Shell - FlowCon IF3900



MODEL NUMBER SELECTION

Insert type of valve/valve body:

F3890= for By-Pass unit with 4 unions

A=for A housings with E-JUST² / Composite² / Strainer w. drain valve

AB=for AB housings 1/2"-1" small with E-JUST² / Composite² / Strainer / Strainer w. drain valve

EVC=for EVC housings with E-JUST (alternatively Composite, but cap not covered)³

EVS= for A / AB housings 1/2"-1" small with EVS and Stainless steel insert³

Green=for A / AB / ABV² housings 1/2"-1" small with Green.0/.1³

F3900=full By-Pass assembly consisting of F3900.2, AB Valve Body and FlowCon IVC Strainer

TJUST=for A / AB / ABV housings 1/2"-1" small with T-JUST³

Note 2: Not to be combined with IF3890.

Note 3: Actuator will be outside the shell.



ACCESSORIES

Spare part p/t plug cap: ACCIPT.

GENERAL DESCRIPTION

The insulation shells are temperature insulation for FlowCon valves in environments with temperatures very different from the media temperatures in the valves. The insulation shells are easily fitted and removed (if necessary) due to the soft snap function of the foam. All insulation shells for valve housings are also included with the accessory part ACCIPT (for easy access to the optional p/t plugs).

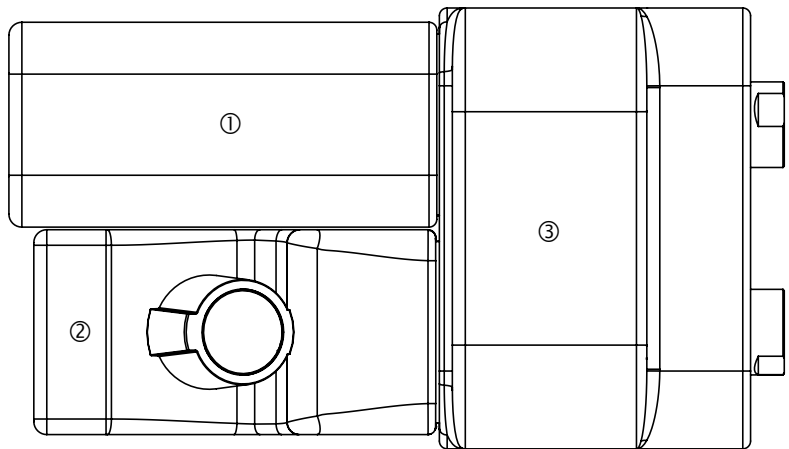
The insulation shells IA (for A-body with strainer / strainer with drain valve), IAB (for AB-body with strainer / strainer with drain valve), IEVC (for EVC-body), IEVS (for EVS-insert with either A or AB-body) and IGreen (for Green inserts with either A or AB-body) can be combined with IF3890 (for By-Pass unit) so that there is an overlap between the two parts which will affect the total length. The insulation shell IF3900 fits the full By-Pass assembly consisting of FlowCon By-Pass F3900.2, various AB DN20 valve configurations and FlowCon IVC strainer.

APPLICATION EXAMPLE

③ IF3890 on By-Pass valve with 4 unions.

① IA on A 20mm housing with strainer and drain valve.

Note: IA/IAB can only be fitted on supply side when used together with IF3890.



② IEVC on EVC 20mm housing with E-just and EV actuator.

UPDATES

For latest updates please see www.flowcon.com

FlowCon International can accept no responsibility for possible errors in any printed material. All rights reserved.