

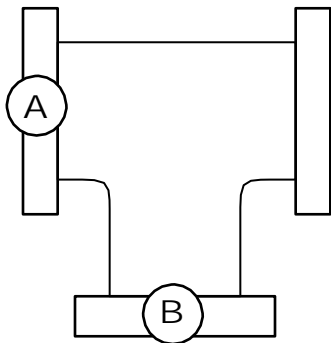
THREE WAY ARRANGEMENTS

The arrangement illustrated represents the most common layouts.
If these layouts do not cover your requirements, simply provide us with a sketch and details.

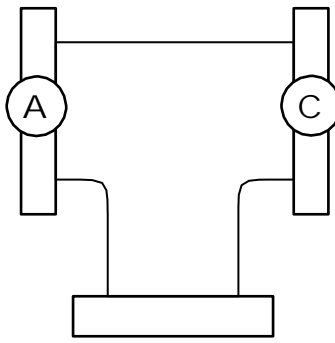
All three-way butterfly valve assembly orders should have the arrangement specified.

ARRANGEMENT	ACTUATED VALVE	NORMALLY CLOSED	NORMALLY OPEN
1	VALVE A	VALVE A	VALVE B
2	VALVE A	VALVE A	VALVE C
3	VALVE B	VALVE B	VALVE C
4	VALVE B	VALVE B	VALVE A
5	VALVE C	VALVE C	VALVE B
6	VALVE C	VALVE C	VALVE A

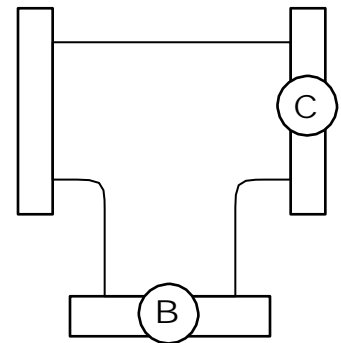
Top View



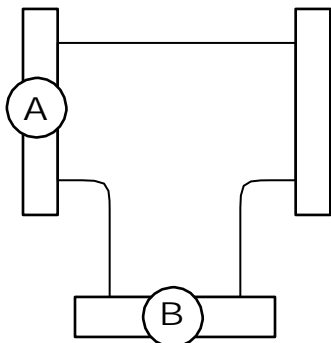
1



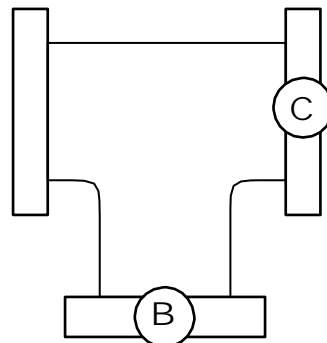
2



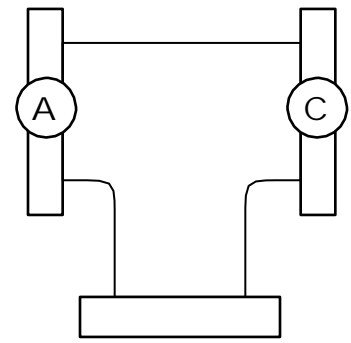
3



4



5



6