



# Pneumatic and Electro-Pneumatic Positioners



Valve Related Controls



# Model V Series

# Model V Series

## Pneumatic & Electro-Pneumatic Positioners

True Modularity • Universal Mounting • Field Upgradeable • Encapsulated Electronics • Corrosion-Resistant Housing • Hazardous Location Models

**Very best components.** Count on trouble-free, economical operation from every V Series model.

**Very best performance.** Truly modular and truly upgradeable in the field, the beauty of the V series is summed up in one word—*simplicity!*

**Very best reliability.** Dust tight. Water tight. Vibration resistant. Corrosion resistant. NEMA-standard composite enclosures. Whatever the application, Model V positioners pass the test with flying colors.

### Very best.

**Very best flexibility.**

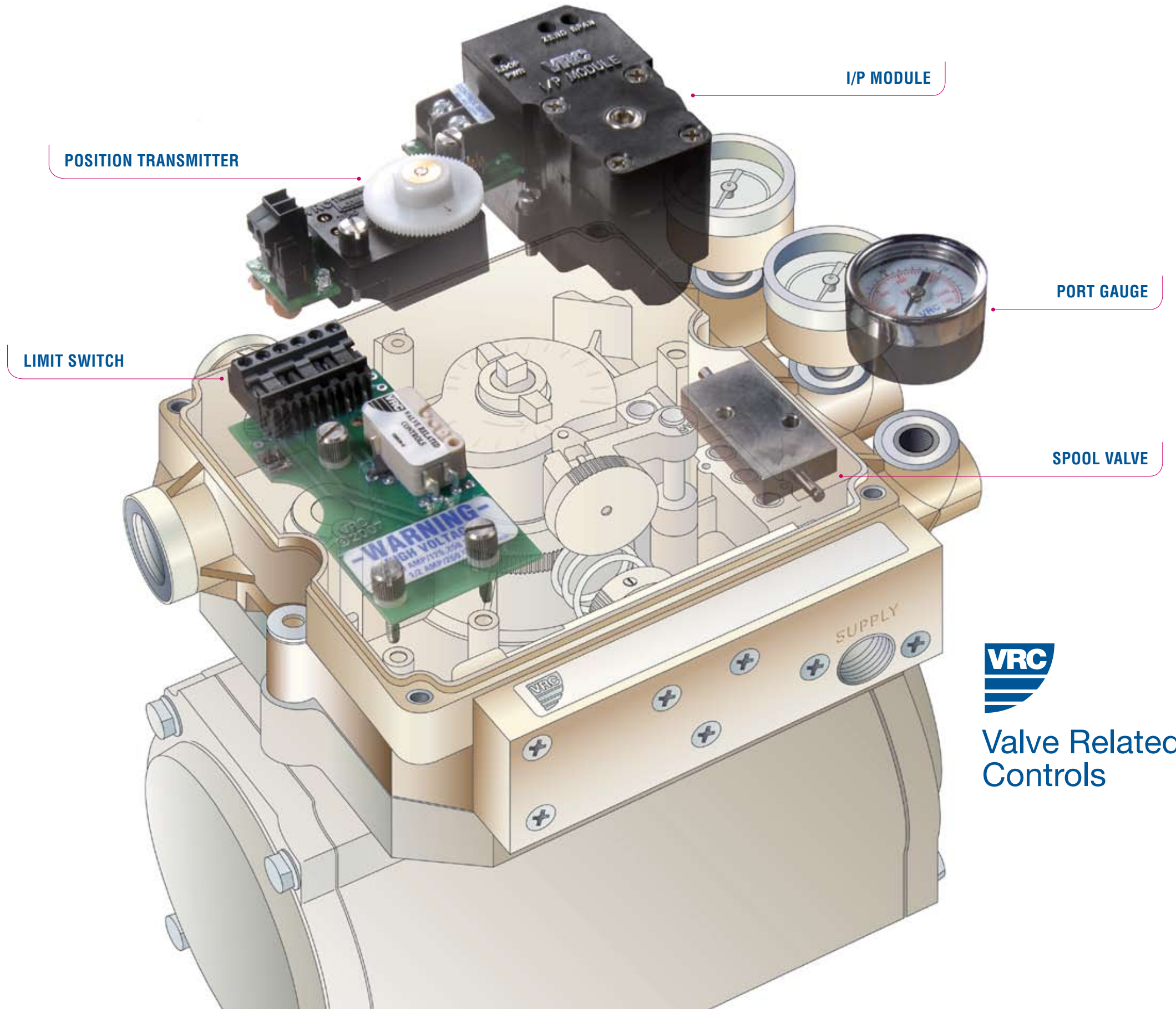
The V Series universal mounting adapts to practically every quarter-turn actuator. **Very best precision.**

The V Series affords precise, accurate mechanical calibration with Click-Lock™, a VRC exclusive! The result—accuracy and ease of adjustment.

**Very best I/P conversion.**

The V Series ensures instantaneous automatic compensation for supply pressure, atmospheric pressure and ambient temperature changes...

**standard! Very best safety.** VRC's exclusive **Model VI** incorporates a FM-, CSA- and Cenelec-approved converter that delivers safe, non-incendive service in both hazardous and general-purpose locations.



Valve Related Controls

## models

VRC provides a complete range of models suited to a variety of applications.

The Model V Series is the **most versatile line** of pneumatic and electro-pneumatic positioners available. From general purpose use to extreme and hazardous locations, count on **flawless performance** from every model.

### General Purpose



### Hazardous Locations



### General Purpose + Hazardous Locations



#### MODEL VI – Hazardous Locations Information

- I/P Converter Type 22/06-65 (Model VI)
- Factory Mutual Approved:  
Intrinsically Safe, Class I, Division I, Groups A,B,C,D  
Non-Incendive, Class I, Division 2, Groups A,B,C,D
- CSA Approved:  
Intrinsically Safe, Class I, Division I and 2,  
Groups A,B,C,D
- CENELEC Approved EEx ia IIC T6
- For Applications in Hazardous Locations Reference  
Control Documents No. 900842/900843 Available  
by Contacting VRC.

#### MODEL VX – Hazardous Locations Information

- Note: For the VX model hazardous ratings apply to the I/P metal (nema 7) housing only, the positioner housing is Nema 4x only:
- Factory Mutual Approved:  
Class I & II, Division 1, Groups B,C,D,E,F,G
  - CSA approved:  
Class I & II, Division 1, Groups B,C,D,E,F,G

### Fail-Freeze I/P



### Limit Switch/Transmitter Mounting Option



\*Shown with optional cover.

## options



#### POSITION INDICATOR

- Flat 90
- Dome 90
- Flat 180 (available)



#### CHARACTERIZING CAM

- Linear
- Square Root
- Square
- 0-60°
- Equal Percent
- Custom
- Tangent
- 0-45°
- 0-35°



#### SPOOL VALVE

- Standard Flow
- Maximum Flow
- Extreme Service



#### PORT GAUGES

- Brass
- Full Stainless
- Stainless Case



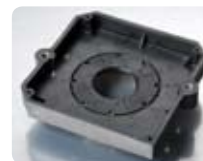
#### POSITION TRANSMITTER

- Current: 4-20 MA.
- Resistive: 1000ohm.



#### LIMIT SWITCH

- Mechanical (S1 Option)  
(2) SPDT. UL Approved  
10A @ 125/250 VAC  
0.5A @ 125 VDC
- Proximity (S2 Option)  
(2) SPST. UL Approved  
1A @ 140 VAC  
1A @ 200 VDC  
50 Watts Maximum



#### UNIVERSAL MOUNTING KIT

Mounting Kit items include:

- Bracket
- Small Coupler
- Large Coupler
- Namur Coupler
- Linear Adaptions Available



Note: Any kit item may be purchased separately.

*Reliability. Economical operation. Trouble-free performance. VRC is the industry leader in field-proven, positioner technology.*



## Modular.

Modularity is the cornerstone of the entire VRC line. Upgrading or modifying any unit is **simple, quick and hassle-free**. Switch from pneumatic to electro-pneumatic with ease. Upgrade a positioner in the field with Limit Switches and position Transmitters easily. VRC simplifies upgrades, minimizes inventory and eases servicing **like no other line** on the market.



*Quality built in the United States*



## Corrosion resistant.

VRC corrosion resistance is unequalled. The I/P Converter and Position Feedback Transmitter are epoxy sealed and the Proximity Switches are hermetically sealed for the ultimate environmental protection. The PPA enclosure and internals exceed NEMA standards and are specifically designed for all routine and most highly corrosive applications. The PPA **enclosure is inherently waterproof and carbon graphite filled to satisfy the toughest demands** in both indoor and outdoor applications.



*Service and support that exceeds expectation*



## Easy to mount.

Adaptability is a key feature of the V Series. Regardless of actuator model or design, the option V Series Universal Mounting Kit allows for **customized adaptation to most current industry models, sizes and styles** of quarter turn actuators. The low profile design of the V Series Universal Mounting Kit insures high performance adaption to the accessory side of the actuator.



*On-going testing makes VRC dependable*

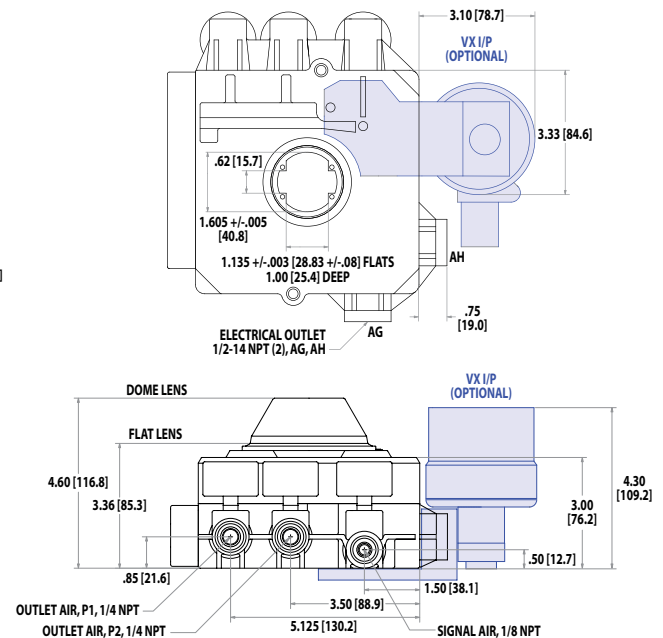
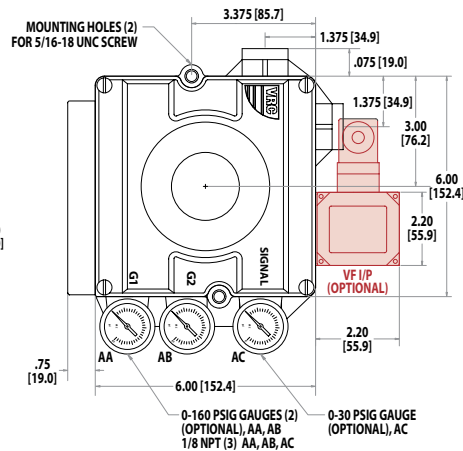
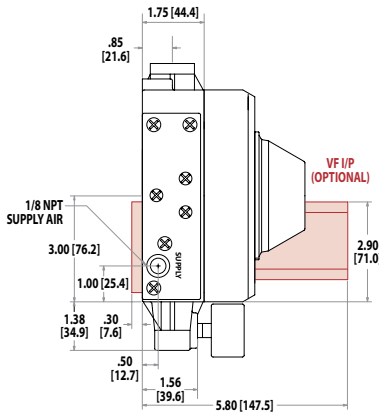


**PERFORMANCE**

PARAMETER	SPECIFICATION
<b>Resolution</b>	0.25% Maximum 0.10% Typical
<b>Repeatability</b>	99.75% Minimum 99.90% Typical
<b>Hysteresis</b>	0.50% Maximum 0.25% Typical
<b>Linearity</b>	+/- 1.0% Maximum
<b>Gain @80 PSIG</b>	250 Single-Acting 500 Double-Acting
<b>Air Consumption @80 PSIG</b>	0.25 SCFM Standard Flow Spool Valve 0.45 SCFM. Maximum Flow Spool Valve
<b>Temperature Range</b>	-40 to 150F/-40 to 65c

**CONSTRUCTION**

PART	MATERIALS
<b>Models VI, VX, VF</b>	Anodized and epoxy painted aluminum
<b>Enclosure</b>	PPA Composite, 300 Series Stainless Port Rings, Cover and Mounting Bolts
<b>Indicator Lens</b>	LEXAN
<b>Internals</b>	PPA, PPS and PEEK Composites 300 Series Stainless Steel Nickel Plated Brass
<b>Spool Valve</b>	Carpenter 70 Grade Stainless Steel
<b>I/P Converter (VK02)</b>	PPA Composite, TEFLON Coated Carbon Steel, Nickel Plated Carbon Steel, High Density Polyethylene DELTRIN
<b>Signal Diaphragm/O-Rings</b>	BUNA N



**REQUIRED SELECTIONS**

**OPTIONAL SELECTIONS**

Model Type	Position Indicator	Characterizing Cam	Spool Valve	Port Gauges	Position Transmitter	Limit Switch				
<b>VP</b> Pneumatic 3-15 PSI	Switch Mount	4	Linear	0	Brass	G	4-20 MA	T1	Mechanical (2) SPDT	S1
	Fusion Coating	5	Square Root	1	Full Stainless	Z	1 kOhm	T2	Proximity (2) SPST	S2
<b>VE</b> Electro-Pneumatic 4-20 MA	Fusion Coating	5	Square	2	Stainless Case	Y				
<b>VI</b> Electro-Pneumatic General Purpose and Hazardous Locations	Dome Lens	6	0-60 degrees	3						
	Flat 90°	7	Equal Percent	4						
<b>VX</b> External I/P Explosion Proof Hazardous Locations	Flat 180°	8	Custom	5						
	Dome 90°	9	Tangent	6						
<b>VF</b> Fail-Freeze I/P			0-45 degrees	7						
			0-35 degrees	8						

**ORDER EXAMPLE** A MODEL VE900-G-T1-S2 is a: (Model VE) Electro-Pneumatic Positioner with a (9) **DOME** Position Indicator, 2 quadrant; (0) **LINEAR** Cam; and (0) **STANDARD FLOW** SPOOL VALVE. Optional fields specify: (G) **BRASS** Gauges; (T1) **4-20 MA** Position Transmitter, and (S2)(2) **SPST PROXIMITY** Limit Switches.

Note: Where limit switches and/or transmitters are required in hazardous locations, the (4) Switch Mount Cover is available for mounting Nema 7-type switch boxes.

