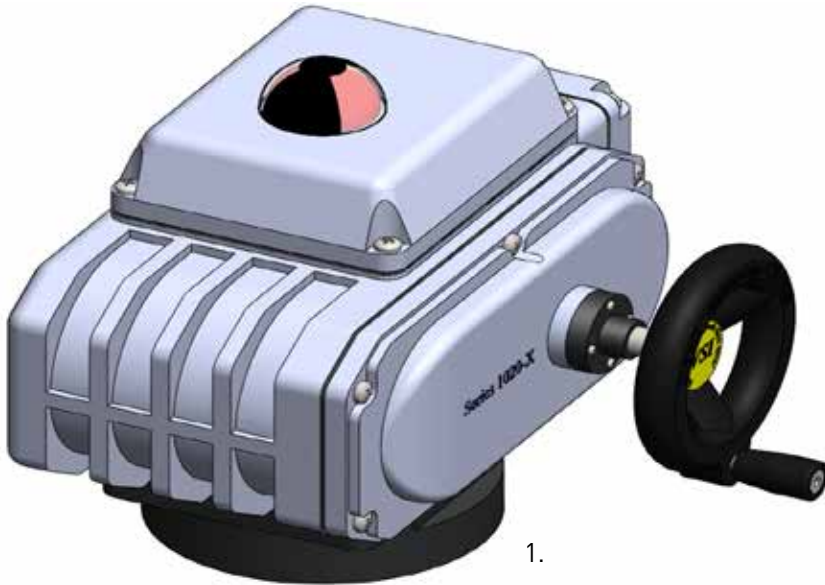
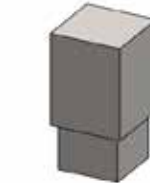


KIT CONTENTS

1. SERIES 1000-X ACTUATOR
2. MALE CONVERSION INSERT
3. 4X LONG BOLTS



1.



2.



3.

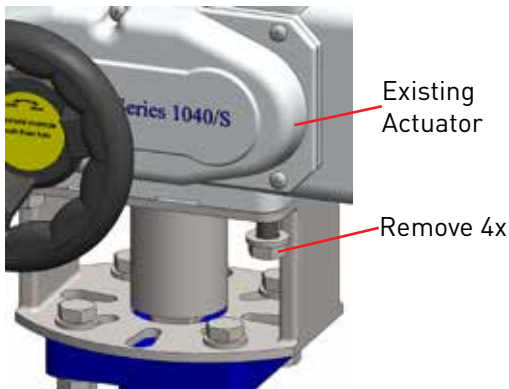


Fig.1

INSTRUCTIONS

- Depending on the location of the valve, it may be easier to remove the bracket from the valve and then follow the procedure.
1. Manually drive the valve to the closed position.
 2. Disconnect the power and control signal from the existing actuator.
 3. Remove the bolts from the existing actuator that secure it to the bracket. (Fig. 1)
 4. Remove the cap screws that secure the black mounting plate on the Series 1000-X actuator. (Fig. 2)
 5. Place the MALE CONVERSION INSERT into the top of the coupling on the valve. (Fig 3 & 4)
 6. Place the Series 1000-X actuator on top of the bracket, be careful as the black base is not secured to the actuator. (Fig. 5)
 7. Align the mounting holes on the mounting base to the mounting holes on the bracket. Use the included long bolts to secure the bracket, base, and actuator to each other. (Fig. 5)
 8. Re-attach power and control wires, and test stroke the valve.

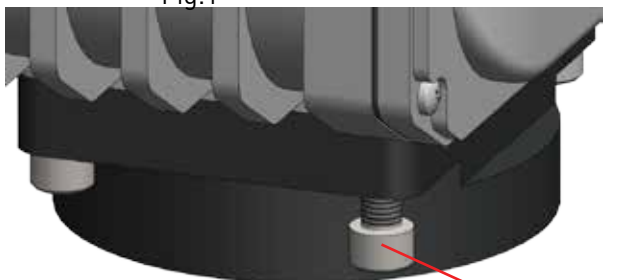


Fig. 2

Remove 4x

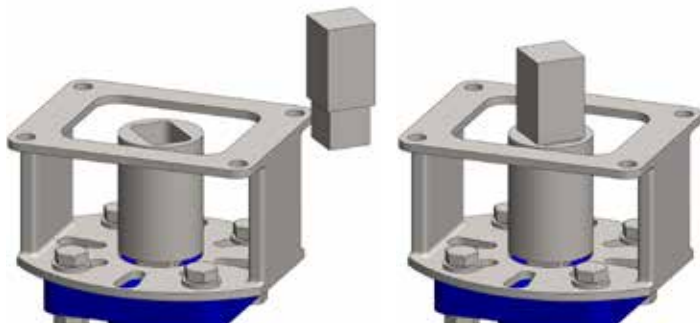


Fig. 3 & 4

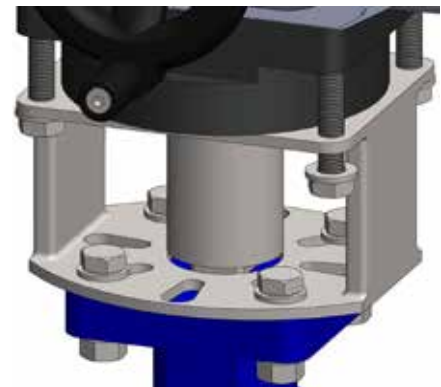


Fig. 5



Municipal, Industrial & Commercial Valve Automation

Partners



WARRANTY INFORMATION

VSI Limited Product Warranty

This limited warranty applies in the United States to products manufactured by Valve Solutions, Inc. Valve Solutions, Inc. warrants the product purchased from it or its authorized reseller to be free from defects in material and workmanship under normal use during the one year warranty period from the date of its purchase. Other products not manufactured by Valve Solutions, Inc. which are provided as part of an assembly may carry additional warranties from that manufacturer or supplier.

During the warranty period, Valve Solutions, Inc. will repair or replace defective parts of the product, or, at Valve Solutions, Inc. sole option, issue a credit for the original purchase price of the product. Repaired or replaced product will be warranted hereunder only for the remaining portion of the original warranty period. All exchanged products under this Limited Warranty will become the property of Valve Solutions, Inc. A proper Return Material Authorization (RMA) number will have to be obtained for all products to be returned under this Limited Warranty. Any claim under this Limited Warranty must include a description of the problem encountered and any relevant information that may assist Valve Solutions, Inc. in the replication or resolution of the problem.

This Limited Warranty is transferable during its term to the end user of the product. Any transfer shall not extend or alter the terms of this Limited Warranty.

This Limited Warranty extends only to products purchased from Valve Solutions, Inc. or its authorized reseller and does not extend to any product that has been damaged or rendered defective as a result of (a) modification, repair, alteration or improper installation by any person other than Valve Solutions, Inc. or its authorized representative; (b) unreasonable or improper use or storage, use beyond rated conditions, operation other than per Valve Solutions, Inc. or the manufacturer's instructions, or being otherwise subjected to improper maintenance, negligence or accident; or (c) any use of the product after purchaser has knowledge of any defect in the product.

The warranties provided above are in lieu of and exclude all other warranties, statutory, express or implied, including without limitation any warranty or merchantability or fitness for a particular purpose. Valve Solutions, Inc. expressly disclaims all warranties not stated in this limited warranty. Any implied warranties that may be imposed by law are limited to the terms of this limited warranty.

Valve Solutions, Inc. warranty liability shall not exceed the original purchase price of the defective product. Valve Solutions, Inc. is not liable for any damages caused by the product or other products or the failure of the product or other products to perform, including any lost profits, lost savings, incidental or consequential damages. Valve Solutions, Inc. is not responsible for charges resulting from the removal and/or replacement of the product. Valve Solutions, Inc. is not liable for any claims made by third parties or by the purchaser for a third party. This limitation applies whether damages are sought, or a claim is made, under the Limited Warranty or as a tort claim, product liability claim, contract claim, or any other claim. This limitation cannot be waived by any person. This limitation of liability will be effective even if Valve Solutions, Inc. or its authorized representative has been advised by the purchaser of the possibility of such damages.

**1155 Alpha Drive, Suite A
Alpharetta, GA 30004
Tel: (770) 740-0800
Fax: (770) 740-8777
www.valvesolutions.com**