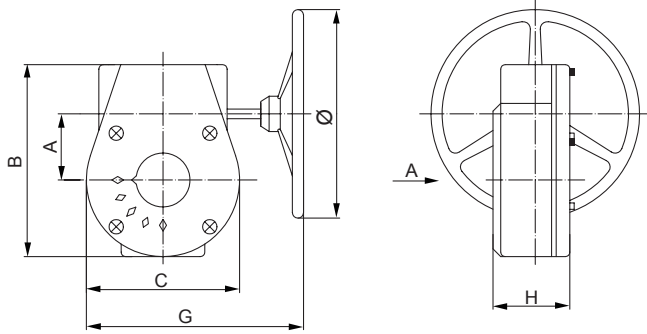
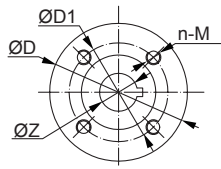


## Worm Gear Operator

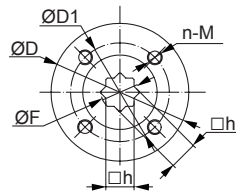
### WM11



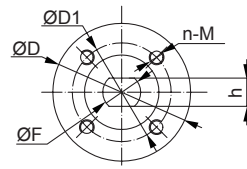
A Direction



A Direction



A Direction

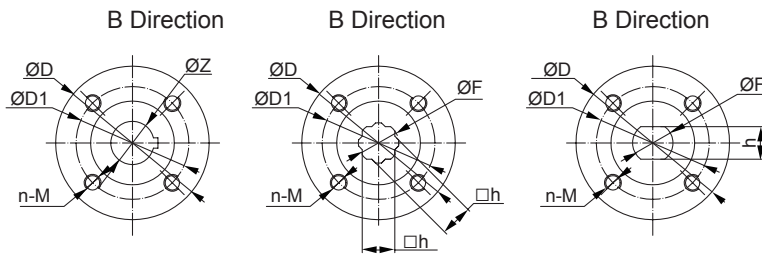
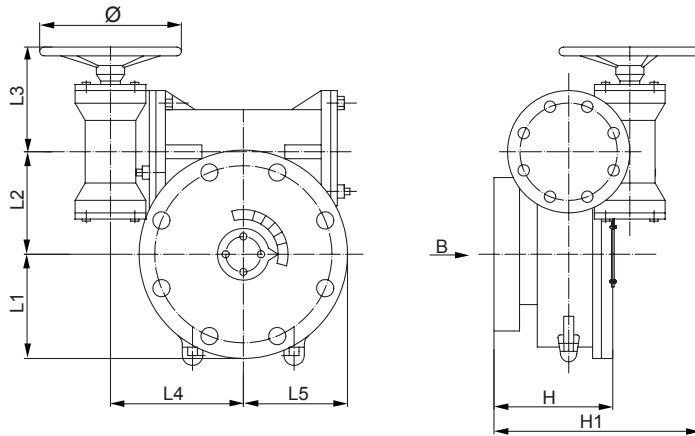


### ◆ Dimensions

Model	SIZE		A	B	C	D	D1	H	G	n-M	Ø	ØZ	ØF	h
	DN	NPS												
3DE-15	50	2"	45	125	102	92	50	65	205	4-M6	135	12.6	12.1	9
	65	2-1/2"	45	125	102	92	50	65	205	4-M6	135	12.6	12.1	9
	80	3"	45	125	102	92	50	65	205	4-M6	135	12.6	12.1	9
	100	4"	45	125	102	92	70	65	205	4-M8	135	15.77	14.1	11
	125	5"	45	125	102	92	70	65	205	4-M8	135	18.92	18.1	14
3DE-50	150	6"	45	125	102	92	70	65	205	4-M8	135	18.92	18.1	14
	200	8"	63	167	141	125	102	79	295	4-M10	285	22.1	22.1	17
3DE-120	250	10"	63	167	141	125	102	79	295	4-M10	285	28.45	22.1	17
	300	12"	80	188	151	125	102	80	291	4-M10	285	31.6	28.2	22
3DE-120	350	14"	80	188	151	125	102	80	291	4-M10	285	31.6	28.2	22
	400	16"	80	188	151	175	140	80	291	4-M16	285	33.15	28.2	22
	450	18"	80	188	151	175	140	80	291	4-M16	285	38	36.2	27

## Worm Gear Operator

### WM12



#### ◆ Dimensions

Model	SIZE		L1	L2	L3	L4	L5	Ø	H	H1	D	D1	n-M	ØZ	ØF	h
	DN	NPS														
3D-30/250	500	20"	107	100	156	168	107	285	125	271	197	140	4-M16	41.15	36.2	27
3D-30/400	600	24"	131	125	160	193	131	385	136	330	210	165	4-M20	50.65	48.2	36
3D-60/800	700	28"	173	162	197	245	173	425	158	373	300	254	8-M16	55	60.2	46
	750	30"	173	162	197	245	173	425	158	373	300	254	8-M16	55	60.2	46
	800	32"	173	162	197	245	173	425	158	373	300	254	8-M16	55	60.2	46
3D-120/1500	900	36"	201	196	203	279	201	425	185	409	300	254	8-M16	75	72.2	55
	1000	40"	201	196	203	279	201	425	185	409	300	254	8-M16	85	72.2	55
3D-120/2500	1200	48"	185	240	203	311	255	425	216	423	350	298	8-M20	105	98.2	75