



GLOBE VALVE - 24V DCA

MODULATING BELIMO DAMPER ELECTRIC ACTUATORS
 1/2" - 2" BRONZE BODY/TRIM, THREADED, MIXING GLOBE VALVES



3-WAY GLOBE VALVE

- SERVICE:** MIXING
- BODY RATING:** ANSI 250
- BODY:** BRONZE
- BODY TRIM:** BRONZE
- STEM:** STAINLESS STEEL ASTM A582 TYPE 303
- PACKING:** NORMAL DUTY (EPDM O-RING)
- VALVE ACTION:** NORMALLY CLOSED
- FLOW CHARACTERISTIC:** EQUAL PERCENTAGE
- RANGEABILITY:** >100:1
- LEAKAGE RATE:** CLASS IV
- CONTROLLED MEDIUM:** WATER,
50% WATER-GLYCOL SOLUTIONS
- MEDIUM TEMP RANGE:** 20°F to 250°F (-7°C to 120°C)
- MAXIMUM DIFFERENTIAL PRESSURE:** 25 psi (173 kPa)
- MAXIMUM INLET PRESSURE:**

TEMP - °F (°C)		PRESSURE - psig (kPa)	
°F	(°C)	psig	(kPa)
-20 to 150	(-30 to 66)	400	(2758)
+200	(93)	385	(2655)
+250	(121)	365	(2586)

DAMPER ACTUATORS

NEMA 2 PROTECTION [OPTIONAL NEMA 4 PROTECTION AVAILABLE]

POWER SUPPLY: 24VAC ± 20% 50/60Hz
24VDC ± 10%

TEMPERATURE RANGE: -5°F to +125°F

RUNTIME: 75 to 150 sec

POWER CONSUMPTION

LMB24-SR: 3VA/1.5W

LF24-SR: 5VA/2.5W

NMB24-SR: 5VA/2.5W

NFB24-SR: 6VA/3.5W

AMB24-SR: 5VA/2.5W

AFB24-SR: 8.5VA / 5.5W

GMB24-SR: 6.5VA/4.2W

POWER CONNECTION

1/2" CONDUIT TO 3' CABLE (18 GA)

3-WAY GLOBE VALVES - BRONZE TRIM - WITH BELIMO FLOATING / 2 POSITION ACTUATORS

	VALVE SIZE	0.5 INCH	0.75 INCH	1 INCH	1.25 INCH	1.5 INCH	2 INCH
	Cv	*	6.3	10	16	25	40
	MODEL #	*	599-03202	599-03203	599-03204	599-03205	599-03206
NON SPRING RETURN	LMB24-SR	250 PSI	130 PSI				
	NMB24-SR			140 PSI	90 PSI		
	AMB24-SR				145 PSI	105 PSI	60 PSI
	GMB24-SR					135 PSI	105 PSI
SPRING RETURN	LF24-SR	215 PSI	100 PSI				
	NFB24-SR			140 PSI			
	AFB24-SR				145 PSI	105 PSI	60 PSI

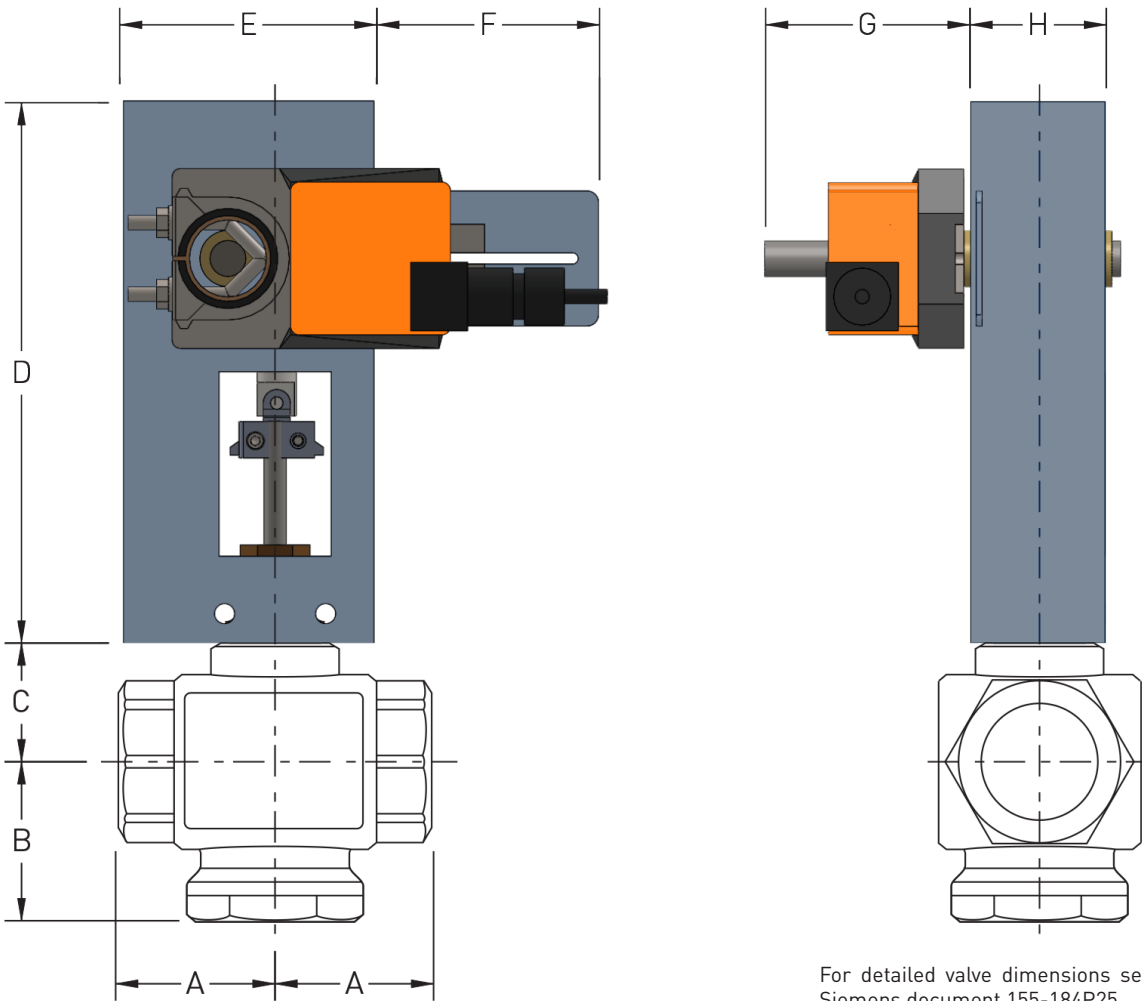
^ Maximum Close-off Pressure Listed in Table

* 0.5 Inch Valves are Available in 4 Sizes: 1Cv - 03198, 1.6Cv - 03199, 2.5Cv - 03200, 4Cv - 03201



GLOBE VALVE - 24V DCA

MODULATING BELIMO DAMPER ELECTRIC ACTUATORS
 1/2" - 2" BRONZE BODY/TRIM, THREADED, MIXING GLOBE VALVES



For detailed valve dimensions see
 Siemens document 155-184P25

Dimensions

VALVE		A	B	C	D	E	F	G	H
0.5"	LMB24	1 -7/16	2-11/16	1 -5/8	9 -1/2	4 -3/8	6 -1/16	4	2 -1/4
	LF24								
0.75"	LMB24	1-11/16	2 -3/4	1-9/16					
	LF24								
1"	NMB24	1-31/32	2 -7/8	1-5/8					
	NFB24								
1.25"	NMB24	2-15/32	2-15/16	1-11/16					
	AMB24								
	AFB24								
1.5"	AMB24	2 -9/16	3	1 -5/8					
	GMB24								
	AFB24								
2"	AMB24	3 -1/8	3 -3/16	1-15/16					
	GMB24								
	AFB24								

(Inches)