



GLOBE VALVE - 24V DCA

2 POSITION BELIMO DAMPER ELECTRIC ACTUATORS
 1/2" - 2" BRONZE BODY/TRIM, THREADED, MIXING GLOBE VALVES



3-WAY GLOBE VALVE

SERVICE: MIXING
BODY RATING: ANSI 250
BODY: BRONZE
BODY TRIM: BRONZE
STEM: STAINLESS STEEL ASTM A582 TYPE 303
PACKING: NORMAL DUTY (EPDM O-RING)
VALVE ACTION: NORMALLY CLOSED
FLOW CHARACTERISTIC: EQUAL PERCENTAGE
RANGEABILITY: >100:1
LEAKAGE RATE: CLASS IV
CONTROLLED MEDIUM: WATER,
 50% WATER-GLYCOL SOLUTIONS
MEDIUM TEMP RANGE: 20°F to 250°F (-7°C to 120°C)
MAXIMUM DIFFERENTIAL PRESSURE: 25 psi (173 kPa)
MAXIMUM INLET PRESSURE:

TEMP - °F (°C)		PRESSURE - psig (kPa)	
°F	(°C)	psig	(kPa)
-20 to 150	(-30 to 66)	400	(2758)
+200	(93)	385	(2655)
+250	(121)	365	(2586)

DAMPER ACTUATORS

NEMA 2 PROTECTION (OPTIONAL NEMA 4 PROTECTION AVAILABLE)
POWER SUPPLY: 24VAC ± 20% 50/60Hz
 24VDC ± 10%
TEMPERATURE RANGE: -5°F to +125°F
RUNTIME: 75 to 150 sec

POWER CONSUMPTION

LMB24-3: 2VA/1.5W LF24-3: 5VA/2.5W
NMB24-3: 4VA/2W NFB24: 8.5VA/6W
AMB24-3: 5.5VA/2.5W AFB24: 7.5VA / 5W
GMB24-3: 6VA/4W

POWER CONNECTION

1/2" CONDUIT TO 3' CABLE (18 GA)

3-WAY GLOBE VALVES - BRONZE TRIM - WITH BELIMO FLOATING / 2 POSITION ACTUATORS

	VALVE SIZE	0.5 INCH	0.75 INCH	1 INCH	1.25 INCH	1.5 INCH	2 INCH
	Cv	*	6.3	10	16	25	40
	MODEL #	*	599-03202	599-03203	599-03204	599-03205	599-03206
NON SPRING RETURN	LMB24	250 PSI	130 PSI				
	NMB24			140 PSI	90 PSI		
	AMB24				145 PSI	105 PSI	60 PSI
	GMB24					135 PSI	105 PSI
SPRING RETURN	LF24	215 PSI	100 PSI				
	NFB24			140 PSI			
	AFB24				145 PSI	105 PSI	60 PSI

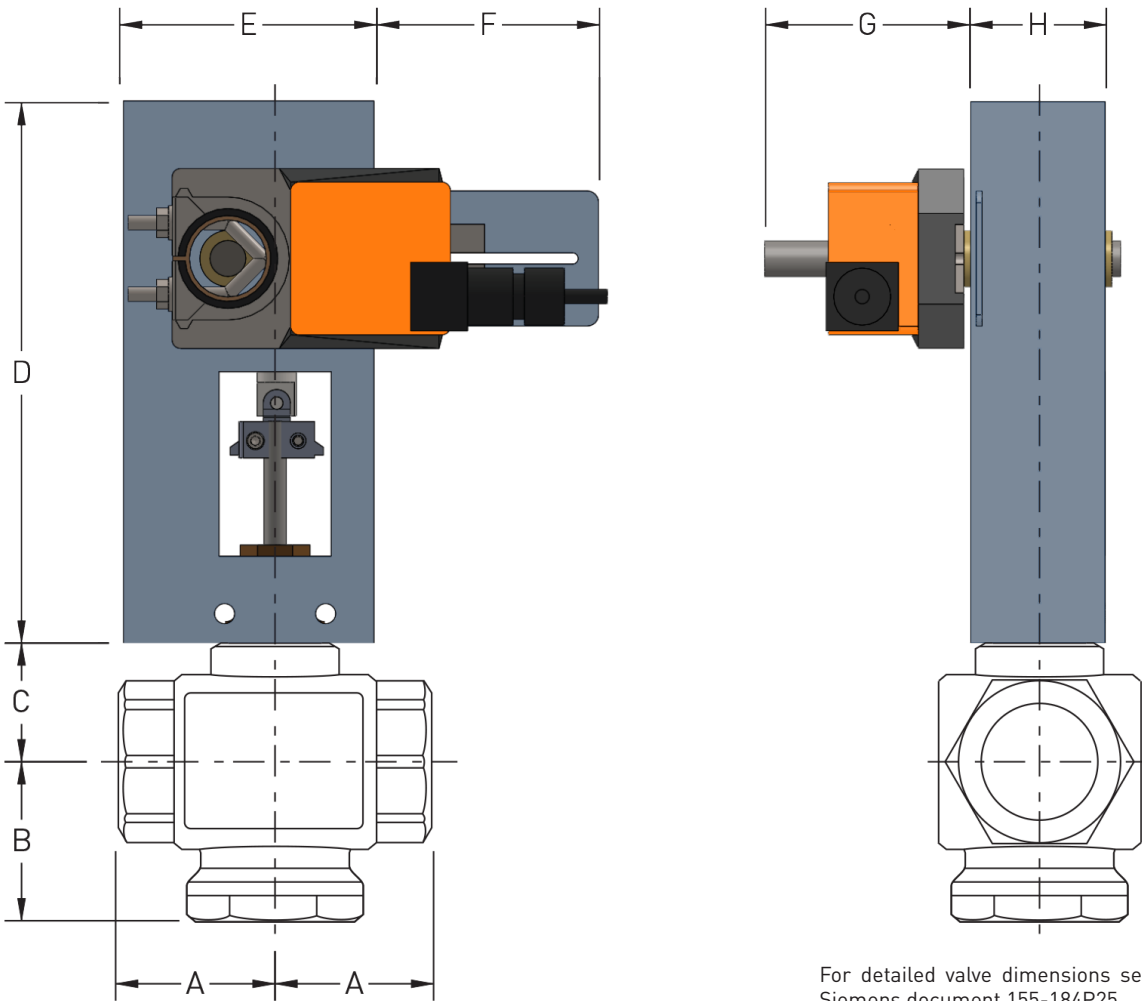
^ Maximum Close-off Pressure Listed in Table

* 0.5 Inch Valves are Available in 4 Sizes: 1Cv - 03198, 1.6Cv - 03199, 2.5Cv - 03200, 4Cv - 03201



GLOBE VALVE - 24V DCA

2 POSITION BELIMO DAMPER ELECTRIC ACTUATORS
 1/2" - 2" BRONZE BODY/TRIM, THREADED, MIXING GLOBE VALVES



For detailed valve dimensions see
 Siemens document 155-184P25

Dimensions

VALVE		A	B	C	D	E	F	G	H
0.5"	LMB24	1 -7/16	2-11/16	1 -5/8	9 -1/2	4 -3/8	6 -1/16	4	2 -1/4
	LF24								
0.75"	LMB24	1-11/16	2 -3/4	1-9/16					
	LF24								
1"	NMB24	1-31/32	2 -7/8	1-5/8					
	NFB24								
1.25"	NMB24	2-15/32	2-15/16	1-11/16					
	AMB24								
	AFB24								
1.5"	AMB24	2 -9/16	3	1 -5/8					
	GMB24								
	AFB24								
2"	AMB24	3 -1/8	3 -3/16	1-15/16					
	GMB24								
	AFB24								

(Inches)