



# GLOBE VALVE - 24V DCA

2 POSITION BELIMO DAMPER ELECTRIC ACTUATORS  
2½" - 6" IRON BODY/BRONZE TRIM, FLANGED CL125, MIXING GLOBE VALVES

## 3-WAY GLOBE VALVE



**BODY RATING:** ANSI 125  
**BODY:** CAST IRON  
**BODY TRIM:** BRONZE  
**STEM:** STAINLESS STEEL ASTM A582 TYPE 303  
**PACKING:** NORMAL DUTY (EPDM O-RING)  
**VALVE ACTION:** NORMALLY CLOSED  
**FLOW CHARACTERISTIC:** EQUAL PERCENTAGE  
**RANGEABILITY:** >100:1  
**LEAKAGE RATE:** CLASS IV  
**CONTROLLED MEDIUM:** WATER,  
 50% WATER-GLYCOL SOLUTIONS  
**MEDIUM TEMP RANGE:** 20°F to 250°F (-7°C to 120°C)  
**MAXIMUM DIFFERENTIAL PRESSURE:** 25 psi (173 kPa)  
**MAXIMUM INLET PRESSURE:**

TEMP - °F (°C)		PRESSURE - psig (kPa)	
°F	(°C)	psig	(kPa)
-20 to 150	(-30 to 66)	200	(1387)
+200	(93)	190	(1310)
+250	(121)	175	(1206)

## DAMPER ACTUATORS

**NEMA 2 PROTECTION** (OPTIONAL NEMA 4 PROTECTION AVAILABLE)  
**POWER SUPPLY:** 24VAC ± 20% 50/60Hz  
 24VDC ± 10%  
**TEMPERATURE RANGE:** -5°F to +125°F  
**RUNTIME:** 75 to 150 sec  
**POWER CONSUMPTION**  
**AMB24-3:** 5.5VA / 2.5W      **AFB24:** 7.5VA / 5W  
**GMB24-3:** 6VA / 4W (Each)      **EFB24:** 16VA/9.5W (Each)  
**GKB24:** 21VA/12W

### POWER CONNECTION

1/2" CONDUIT TO 3' CABLE (18 GA)

### 3-WAY GLOBE VALVES - BRONZE TRIM - WITH BELIMO FLOATING / 2 POSITION ACTUATORS

	VALVE SIZE	2.5 INCH	3 INCH	4 INCH	5 INCH	6 INCH
	Cv	63	100	160	250	400
	MODEL #	599-06160	599-06161	599-06162	599-06163	599-06164
NON SPRING RETURN	AMB24	55 PSI				
	GMB24	110 PSI	76 PSI	21 PSI		
	GMB24(x2)*		105 PSI	40 PSI	35 PSI	25 PSI
SPRING RETURN	AFB24	55 PSI				
	EFB24	90 PSI	65 PSI	20 PSI		
	EFB24(x2)*			35 PSI	20 PSI	15 PSI
FAIL-SAFE	GKB24	120 PSI	85 PSI	25 PSI		

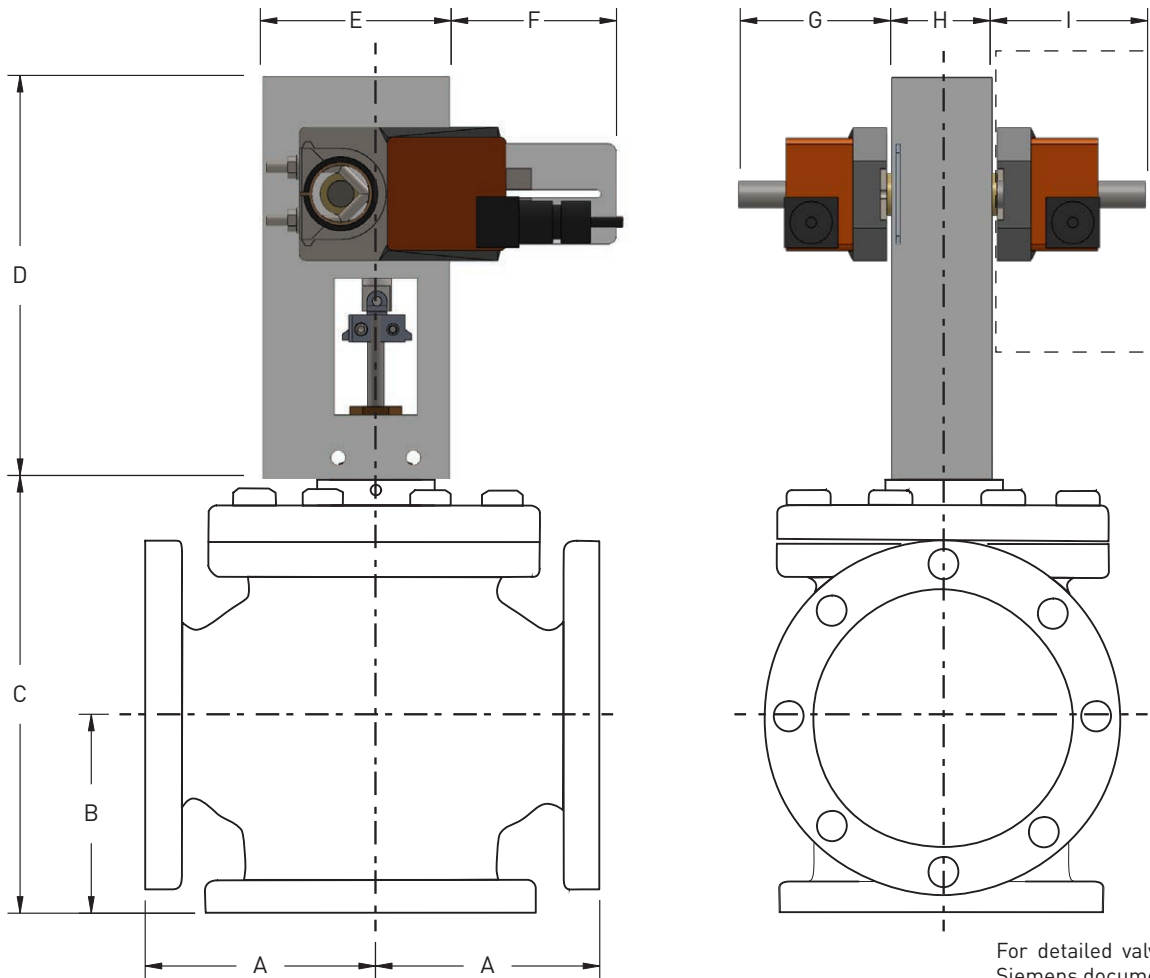
^ Maximum Close-off Pressure Listed in Table

\* Units with asterisk utilize two actuators



# GLOBE VALVE - 24V DCA

2 POSITION BELIMO DAMPER ELECTRIC ACTUATORS  
2½" - 6" IRON BODY/BRONZE TRIM, FLANGED CL125, MIXING GLOBE VALVES



For detailed valve dimensions see Siemens document 155-160P25

## Dimensions

VALVE		A	B	C	D	E	F	G	H	I
2.5"	AMB24	5-7/16	3-3/4	9-3/8	9-1/2	4-3/8	6-1/16	4	2-1/4	-
	GMB24									
	AFB24									
	GKB24									
3"	EFB24	5 7/8	4 3/8	10 3/4	9-1/2	4-3/8	6-1/16	4	2-1/4	-
	GKB24									
	GMB24(x2)									
	GMB24	11	4-3/8	6-1/16	4	2-1/4	4			
4"	GMB24	6 15/16	5 1/8	12 1/2	11	4-3/8	6-1/16	4	2-1/4	-
	EFB24									
	GKB24									
	GMB24(x2)									4
5"	GMB24(x2)	7 7/8	5 3/4	13 3/4	11	4-3/8	6-1/16	4	2-1/4	4
	EFB24(x2)									
6"	GMB24(x2)	8 7/8	6 5/8	15 1/2	11	4-3/8	6-1/16	4	2-1/4	4
	EFB24(x2)									

Inches