

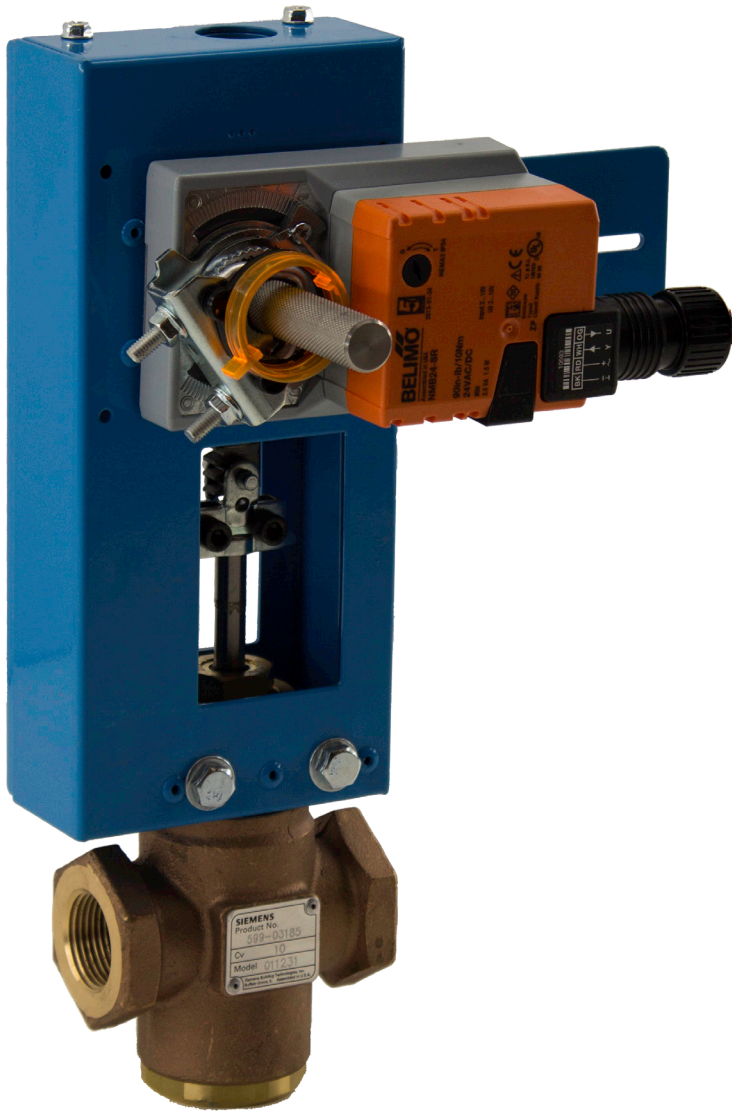


GLOBE VALVE - 24V DCA

MODULATING BELIMO DAMPER ELECTRIC ACTUATORS

1/2" - 2" STAINLESS TRIM, THREADED, NORMALLY CLOSED GLOBE VALVES

2-WAY GLOBE VALVE



- BODY RATING:** ANSI 250
- BODY TRIM:** STAINLESS STEEL
- STEM:** STAINLESS STEEL ASTM A582 TYPE 303
- PACKING:** STEAM (Teflon® V-Ring)
- VALVE ACTION:** NORMALLY CLOSED
- FLOW CHARACTERISTIC:** LINEAR
- RANGEABILITY:** >100:1
- LEAKAGE RATE:** CLASS IV

- CONTROLLED MEDIUM:** WATER, SATURATED STEAM, 50% WATER-GLYCOL SOLUTIONS
- MEDIUM TEMP RANGE:** 20°F to 337°F (-7°C to 170°C)
- MAXIMUM DIFFERENTIAL PRESSURE:** 50 psi (345 kPa)
- MAXIMUM INLET PRESSURE:** STEAM 100 psig (690 kPa)

TEMP - °F (°C)		PRESSURE - psig (kPa)	
°F	(°C)	psig	(kPa)
-20 to 150	(-30 to 66)	400	(2758)
+200	(93)	385	(2655)
+250	(121)	365	(2586)

DAMPER ACTUATORS

- NEMA 2 PROTECTION**
- POWER SUPPLY:** 24VAC ± 20% 50/60Hz
24VDC ± 10%
- TEMPERATURE RANGE:** -5°F to +125°F
- RUNTIME:** 75 to 150 sec

POWER CONSUMPTION

- LMB24-SR:** 3VA / 1.5W
- NMB24-SR:** 5VA / 2.5W
- AMB24-SR:** 5VA / 2.5W
- GMB24-SR:** 6.5VA / 4.5W
- LF24-SR:** 7VA / 5W
- NFB24-SR:** 8.5VA / 6W
- AFB24-SR:** 8.5VA / 5.5W

POWER CONNECTION

1/2" CONDUIT TO 3' CABLE (18 GA)

2-WAY GLOBE VALVES - STAINLESS TRIM - WITH BELIMO MODULATING ACTUATORS

	VALVE SIZE	.5 INCH	.75 INCH	1 INCH	1.25 INCH	1.5 INCH	2 INCH
	Cv	*	6.3	10	16	25	40
	MODEL #	*	599-03076	599-03077	599-03078	599-03079	599-03080
NON SPRING RETURN	LMB24-SR						
	NMB24-SR						
	AMB24-SR						
	GMB24-SR						
SPRING RETURN	LF24-SR						
	NFB24-SR						
	AFB24-SR						

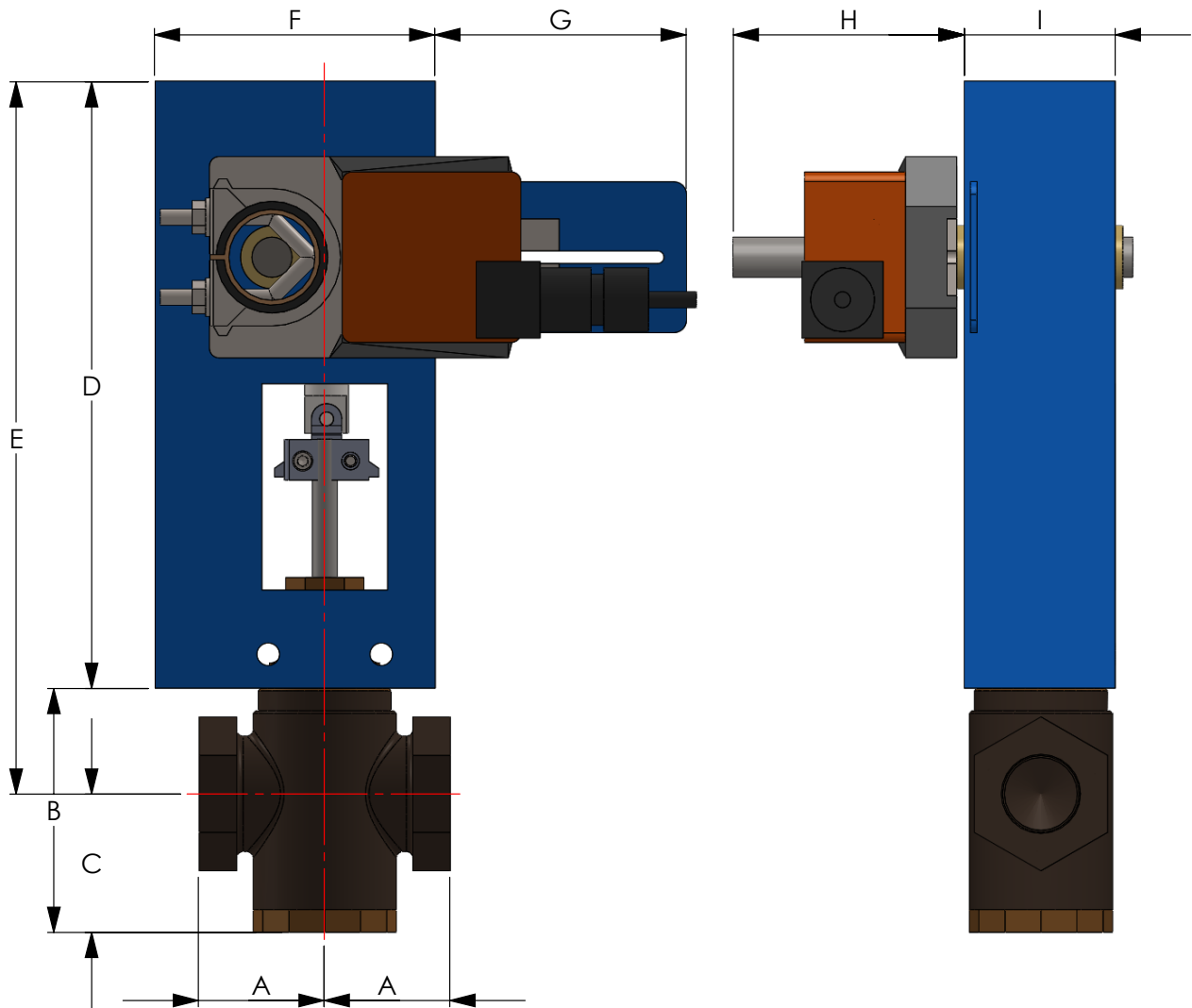
* .5IN VALVES ARE AVAILABLE IN 4 SIZES: 1Cv - 03072 1.6Cv - 03073 2.5 Cv - 03074 4Cv - 03075



GLOBE VALVE - 24V DCA

MODULATING BELIMO DAMPER ELECTRIC ACTUATORS

1/2" - 2" STAINLESS TRIM, THREADED, NORMALLY CLOSED GLOBE VALVES



Dimensions

VALVE	A	B	C	D	E	F	G	H	I
0.5	599-03072								
	599-03073	1 7/16	3 13/16	2 3/16	11 1/8	9 1/2	4 3/8	3 7/8	2 1/4
	599-03074	(36)	(97)	(55)	(283)	(241)	(111)	(99)	(57)
	599-03075								
0.75	599-03076	1 11/16	3 13/16	2 3/16	11 1/8	9 1/2	4 3/8	3 7/8	2 1/4
		(43)	(97)	(55)	(283)	(241)	(111)	(99)	(57)
1	599-03077	2	3 13/16	2 3/16	11 1/8	9 1/2	4 3/8	3 7/8	2 1/4
		(50)	(97)	(55)	(283)	(241)	(111)	(99)	(57)
1.25	599-03078	2 1/2	3 13/16	2 3/16	11 1/8	9 1/2	4 3/8	3 7/8	2 1/4
		(62)	(97)	(55)	(283)	(241)	(111)	(99)	(57)
1.5	599-03079	2 9/16	3 7/8	2 1/4	11 1/8	9 1/2	4 3/8	3 7/8	2 1/4
		(65)	(99)	(58)	(283)	(241)	(111)	(99)	(57)
2	599-03080	3 1/8	4 1/2	2 9/16	11 7/16	9 1/2	4 3/8	3 7/8	2 1/4
		(79)	(114)	(65)	(291)	(241)	(111)	(99)	(57)

Inches (mm)