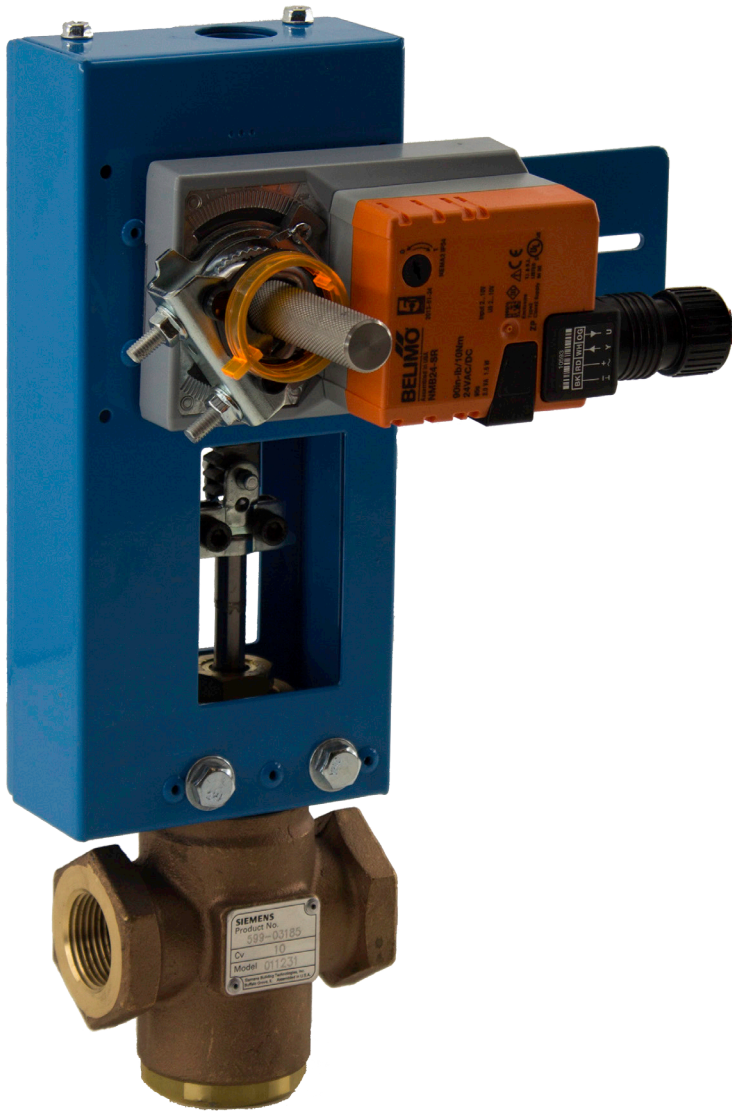




GLOBE VALVE - 24V DCA

2 POSITION BELIMO DAMPER ELECTRIC ACTUATORS
 1/2" - 2" BRASS TRIM, THREADED, NORMALLY CLOSED GLOBE VALVES

2-WAY GLOBE VALVE



BODY RATING: ANSI 250
BODY TRIM: BRASS
STEM: STAINLESS STEEL ASTM A582 TYPE 303
PACKING: NORMAL DUTY (EPDM O-RING)
VALVE ACTION: NORMALLY CLOSED
FLOW CHARACTERISTIC: EQUAL PERCENTAGE
RANGEABILITY: >100:1
LEAKAGE RATE: CLASS IV

CONTROLLED MEDIUM: WATER,
 50% WATER-GLYCOL SOLUTIONS
MEDIUM TEMP RANGE: 20°F to 250°F (-7°C to 120°C)
MAXIMUM DIFFERENTIAL PRESSURE: 25 psi (173 kPa)
MAXIMUM INLET PRESSURE:

TEMP - °F [°C]		PRESSURE - psig (kPa)	
°F	[°C]	psig	[kPa]
-20 to 150	[-30 to 66]	400	[2758]
+200	[93]	385	[2655]
+250	[121]	365	[2586]

DAMPER ACTUATORS

NEMA 2 PROTECTION
POWER SUPPLY: 24VAC ± 20% 50/60Hz
 24VDC ± 10%
TEMPERATURE RANGE: -5°F to +125°F
RUNTIME: 75 to 150 sec

POWER CONSUMPTION

LMB24-3: 2.5VA / 1.5W **LF24:** 7VA / 5W
NMB24-3: 4VA / 2W **NFB24:** 8.5VA / 6W
AMB24-3: 5.5VA / 2.5W **AFB24:** 7.5VA / 5W
GMB24-3: 6VA / 4W

POWER CONNECTION

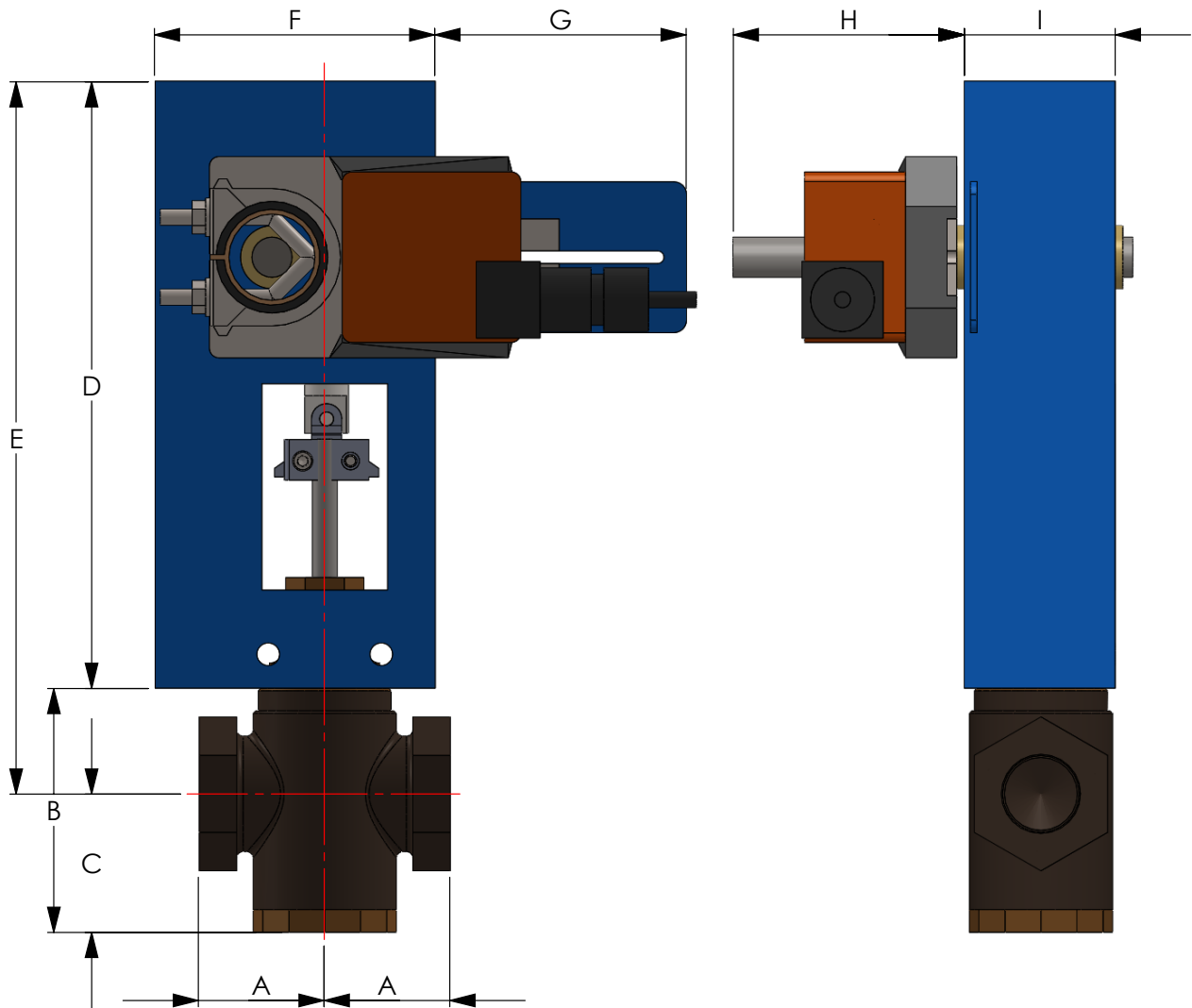
1/2" CONDUIT TO 3' CABLE (18 GA)

2-WAY GLOBE VALVES - BRONZE TRIM - WITH BELIMO FLOATING / 2 POSITION ACTUATORS							
	VALVE SIZE	.5 INCH	.75 INCH	1 INCH	1.25 INCH	1.5 INCH	2 INCH
	Cv	*	6.3	10	16	25	40
	MODEL #	*	599-03184	599-03185	599-03186	599-03187	599-03188
NON SPRING RETURN	LMB24-3						
	NMB24-3						
	AMB24-3						
	GMB24-3						
SPRING RETURN	LF24						
	NFB24						
	AFB24						
* .5IN VALVES ARE AVAILABLE IN 4 SIZES: 1Cv - 03180 1.6Cv - 03181 2.5 Cv - 03182 4Cv - 03183							



GLOBE VALVE - 24V DCA

2 POSITION BELIMO DAMPER ELECTRIC ACTUATORS
 1/2" - 2" BRASS TRIM, THREADED, NORMALLY CLOSED GLOBE VALVES



Dimensions

VALVE	A	B	C	D	E	F	G	H	I
0.5	599-03180								
	599-03181	1 7/16	3 13/16	2 3/16	11 1/8	9 1/2	4 3/8	3 7/8	2 1/4
	599-03182	(36)	(97)	(55)	(283)	(241)	(111)	(99)	(57)
	599-03183								
0.75	599-03184	1 11/16	3 13/16	2 3/16	11 1/8	9 1/2	4 3/8	3 7/8	2 1/4
		(43)	(97)	(55)	(283)	(241)	(111)	(99)	(57)
1	599-03185	2	3 13/16	2 3/16	11 1/8	9 1/2	4 3/8	3 7/8	2 1/4
		(50)	(97)	(55)	(283)	(241)	(111)	(99)	(57)
1.25	599-03186	2 1/2	3 13/16	2 3/16	11 1/8	9 1/2	4 3/8	3 7/8	2 1/4
		(62)	(97)	(55)	(283)	(241)	(111)	(99)	(57)
1.5	599-03187	2 9/16	3 7/8	2 1/4	11 1/8	9 1/2	4 3/8	3 7/8	2 1/4
		(65)	(99)	(58)	(283)	(241)	(111)	(99)	(57)
2	599-03188	3 1/8	4 1/2	2 9/16	11 7/16	9 1/2	4 3/8	3 7/8	2 1/4
		(79)	(114)	(65)	(291)	(241)	(111)	(99)	(57)

Inches (mm)