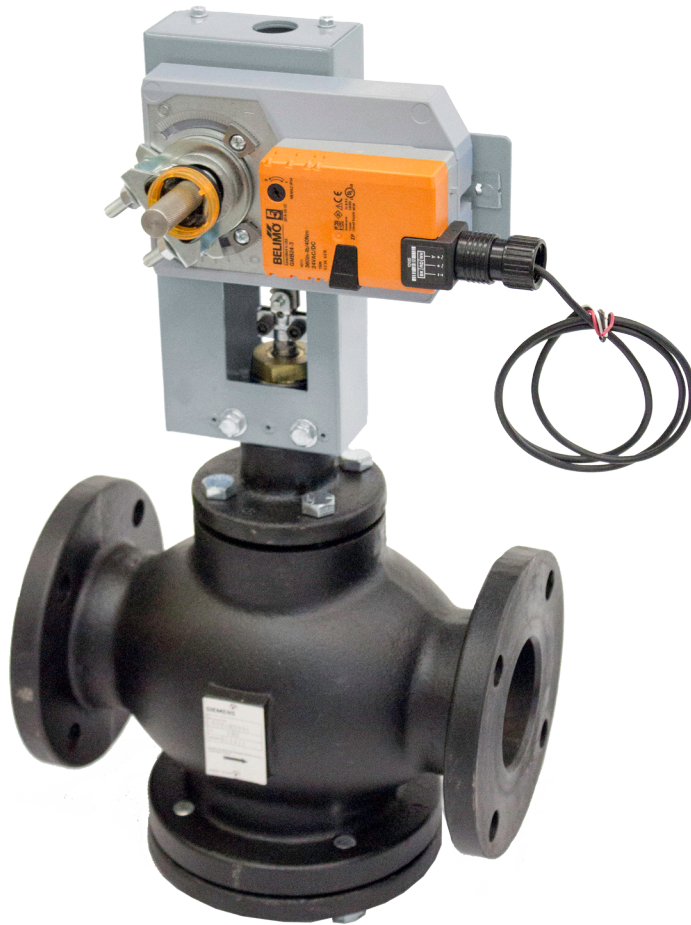


2-WAY GLOBE VALVE



BODY RATING: ANSI 125
BODY: CAST IRON
BODY TRIM: STAINLESS STEEL
STEM: STAINLESS STEEL ASTM A582 TYPE 303
PACKING: STEAM (Teflon® V-Ring/EPDM O-Ring)
VALVE ACTION: NORMALLY CLOSED
FLOW CHARACTERISTIC: LINEAR
RANGEABILITY: >100:1
LEAKAGE RATE: CLASS IV
CONTROLLED MEDIUM: WATER, SATURATED STEAM,
 50% WATER-GLYCOL SOLUTIONS
MEDIUM TEMP RANGE: 20°F to 337°F (-7°C to 170°C)
MAX WATER DIFFERENTIAL PRESSURE: 50 psi (345 kPa)
STEAM INLET PRESSURE: 100 psig
MAX STEAM DIFFERENTIAL PRESSURE: 50 psi (345 kPa)

TEMP - °F (°C)		PRESSURE - psig (kPa)	
°F	(°C)	psig	(kPa)
-20 to 150	(-30 to 66)	200	(1387)
+200	(93)	190	(1310)
+250	(121)	175	(1206)
+300	(149)	165	(1137)
+400	(204)	140	(965)
+450	(232)	125	(861)

DAMPER ACTUATORS

NEMA 2 PROTECTION (OPTIONAL NEMA 4 PROTECTION AVAILABLE)

POWER SUPPLY: 24VAC ± 20% 50/60Hz
 24VDC ± 10%

TEMPERATURE RANGE: -5°F to +125°F

RUNTIME: 75 to 150 sec

POWER CONSUMPTION

AMB24-SR: 5VA / 2.5W

EFB24: 14VA/8W

GMB24-SR: 6.5VA / 4.5W (Each)

EFB24-MFT: 16VA/9.5W (Each)

AFB24: 8.5VA / 5.5W

GKB24: 21VA/12W

POWER CONNECTION

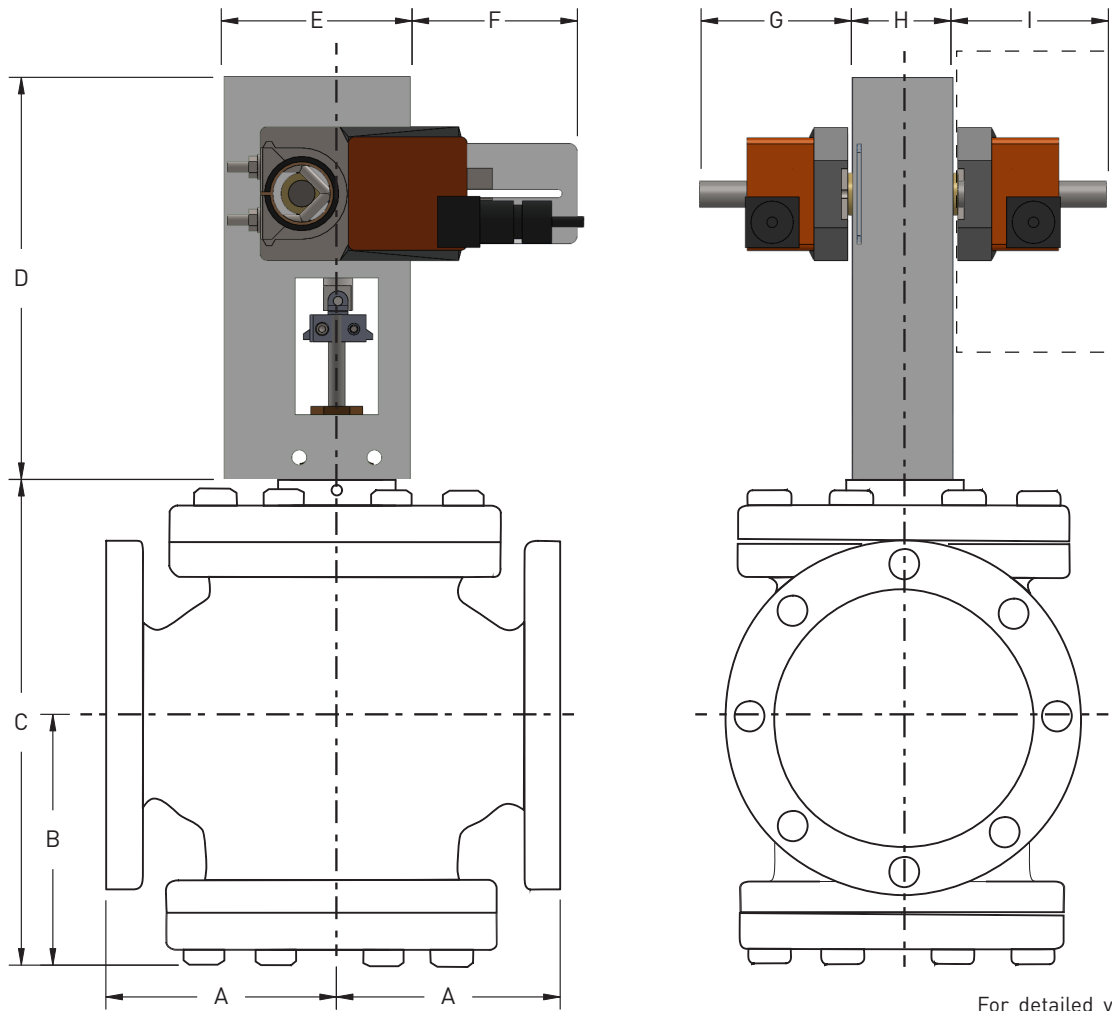
1/2" CONDUIT TO 3' CABLE (18 GA)

2-WAY GLOBE VALVES - STAINLESS STEEL TRIM - WITH BELIMO MODULATING ACTUATORS

VALVE SIZE		2.5 INCH	3 INCH	4 INCH	5 INCH	6 INCH
Cv		63	100	160	250	400
MODEL #		599-06050	599-06051	599-06052	599-06053	599-06054
NON SPRING RETURN	AMB24-SR	55 PSI				
	GMB24-SR	110 PSI	76 PSI	21 PSI		
	GMB24-SR(x2)*		105 PSI	40 PSI	35 PSI	25 PSI
SPRING RETURN	AFB24-SR	55 PSI				
	EFB24-SR	90 PSI	65 PSI	20 PSI		
	EFB24-SR(x2)*			35 PSI	20 PSI	15 PSI
FAIL-SAFE	GKB24-SR	120 PSI	85 PSI	25 PSI		

^ Maximum Close-off Pressure Listed in Table

* Units with asterisk utilize two actuators



For detailed valve dimensions see Siemens document 155-159P25

Dimensions

VALVE		A	B	C	D	E	F	G	H	I
2.5"	AMB24	5-7/16	3-3/4	9-3/8	9-1/2	4-3/8	6-1/16	4	2-1/4	-
	GMB24									
	AFB24									
	GKB24									
3"	EFB24	5 7/8	4 3/8	10 3/4	9-1/2	4-3/8	6-1/16	4	2-1/4	-
	GKB24									
	GMB24(x2)									
	GMB24	6 15/16	5 1/8	12 1/2	11	4-3/8	6-1/16	4	2-1/4	-
EFB24										
GKB24										
GMB24(x2)										
4"	EFB24(x2)	7 7/8	5 3/4	13 3/4	11	4-3/8	6-1/16	4	2-1/4	4
	GMB24(x2)									
	GKB24									
	GMB24(x2)									
5"	EFB24(x2)	8 7/8	6 5/8	15 1/2	11	4-3/8	6-1/16	4	2-1/4	4
	GMB24(x2)									
6"	EFB24(x2)	8 7/8	6 5/8	15 1/2	11	4-3/8	6-1/16	4	2-1/4	4
	GMB24(x2)									

Inches