

## 2-WAY GLOBE VALVE



**BODY RATING:** ANSI 125  
**BODY:** CAST IRON  
**BODY TRIM:** BRONZE  
**STEM:** STAINLESS STEEL ASTM A582 TYPE 303  
**PACKING:** NORMAL DUTY (EPDM O-RING)  
**VALVE ACTION:** NORMALLY CLOSED  
**FLOW CHARACTERISTIC:** EQUAL PERCENTAGE  
**RANGEABILITY:** >100:1  
**LEAKAGE RATE:** CLASS IV  
**CONTROLLED MEDIUM:** WATER,  
 50% WATER-GLYCOL SOLUTIONS  
**MEDIUM TEMP RANGE:** 20°F to 250°F (-7°C to 120°C)  
**MAXIMUM DIFFERENTIAL PRESSURE:** 25 psi (173 kPa)  
**MAXIMUM INLET PRESSURE:**

TEMP - °F (°C)		PRESSURE - psig (kPa)	
°F	(°C)	psig	(kPa)
-20 to 150	(-30 to 66)	200	(1387)
+200	(93)	190	(1310)
+250	(121)	175	(1206)

## DAMPER ACTUATORS

**NEMA 2 PROTECTION** (OPTIONAL NEMA 4 PROTECTION AVAILABLE)

**POWER SUPPLY:** 24VAC ± 20% 50/60Hz  
 24VDC ± 10%

**TEMPERATURE RANGE:** -5°F to +125°F

**RUNTIME:** 75 to 150 sec

### POWER CONSUMPTION

**AMB24-SR:** 5VA / 2.5W

**EFB24:** 14VA/8W

**GMB24-SR:** 6.5VA / 4.5W (Each)

**EFB24-MFT:** 16VA/9.5W (Each)

**AFB24:** 8.5VA / 5.5W

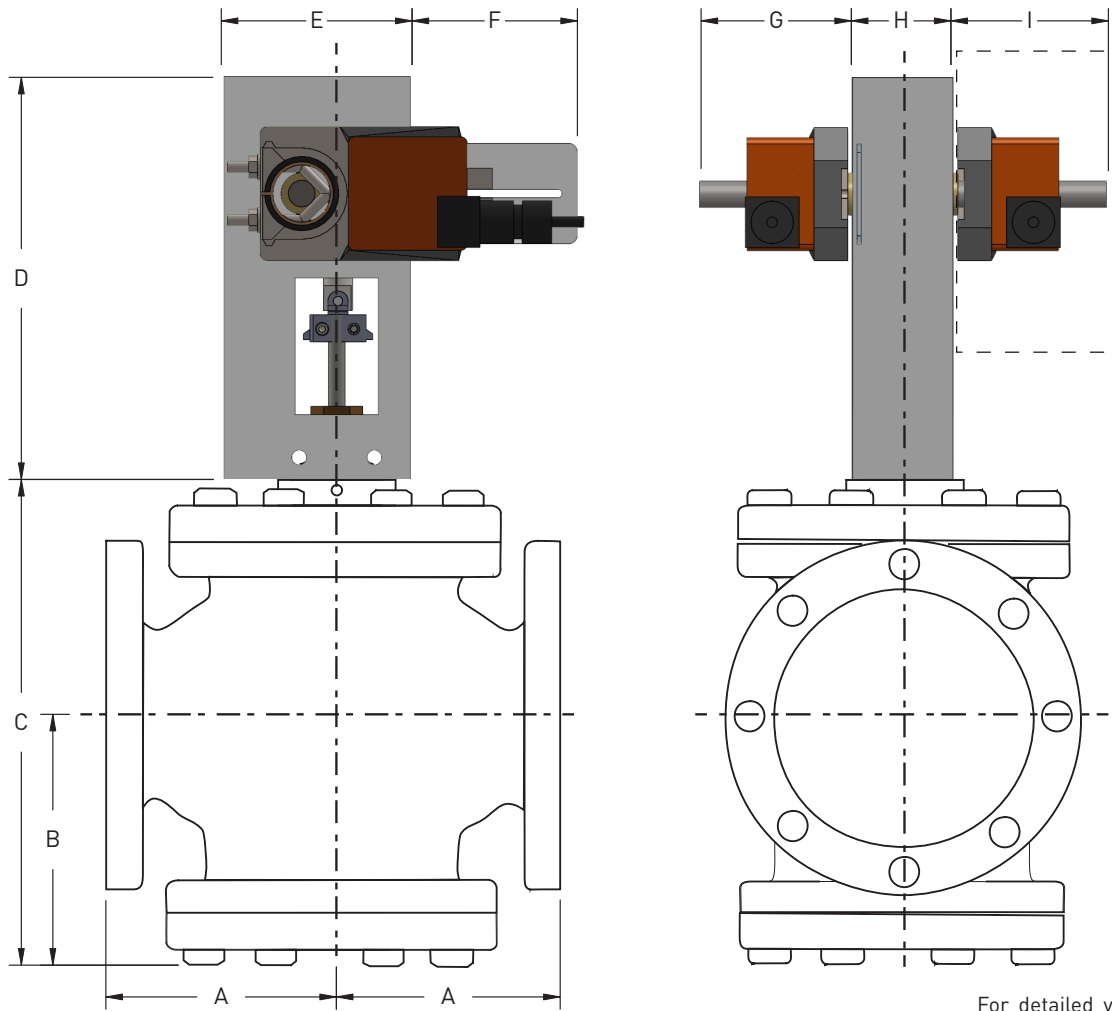
**GKB24:** 21VA/12W

### POWER CONNECTION

1/2" CONDUIT TO 3' CABLE (18 GA)

2-WAY GLOBE VALVES - BRONZE TRIM - WITH BELIMO MODULATING ACTUATORS						
VALVE SIZE		2.5 INCH	3 INCH	4 INCH	5 INCH	6 INCH
Cv		63	100	160	250	400
MODEL #		599-05990	599-05991	599-05992	599-05993	599-05994
NON SPRING RETURN	AMB24-SR	55 PSI				
	GMB24-SR	110 PSI	76 PSI	21 PSI		
	GMB24-SR(x2)*		105 PSI	40 PSI	35 PSI	25 PSI
SPRING RETURN	AFB24-SR	55 PSI				
	EFB24-SR	90 PSI	65 PSI	20 PSI		
	EFB24-SR(x2)*			35 PSI	20 PSI	15 PSI
FAIL-SAFE	GKB24-SR	120 PSI	85 PSI	25 PSI		

^ Maximum Close-off Pressure Listed in Table  
 \* Units with asterisk utilize two actuators



For detailed valve dimensions see Siemens document 155-159P25

## Dimensions

VALVE		A	B	C	D	E	F	G	H	I
2.5"	AMB24	5-7/16	3-3/4	9-3/8	9-1/2	4-3/8	6-1/16	4	2-1/4	-
	GMB24									
	AFB24									
	GKB24									
3"	EFB24	5 7/8	4 3/8	10 3/4	9-1/2	4-3/8	6-1/16	4	2-1/4	-
	GKB24									
	GMB24(x2)									
	GMB24	6 15/16	5 1/8	12 1/2	11	4-3/8	6-1/16	4	2-1/4	-
EFB24										
GKB24										
GMB24(x2)										
4"	EFB24(x2)	7 7/8	5 3/4	13 3/4	11	4-3/8	6-1/16	4	2-1/4	4
	GMB24(x2)									
	GKB24									
	GMB24									
5"	EFB24(x2)	8 7/8	6 5/8	15 1/2	11	4-3/8	6-1/16	4	2-1/4	4
	GMB24(x2)									
6"	EFB24(x2)	8 7/8	6 5/8	15 1/2	11	4-3/8	6-1/16	4	2-1/4	4
	GMB24(x2)									

Inches