



SERIES 2120 - SERIES L

MODULATING LOW PRESSURE PNEUMATIC ACTUATORS
3-WAY 2" - 8" RESILIENT SEATED BUTTERFLY VALVES

SERIES 2120 BUTTERFLY VALVE

SERVICE: Chilled/Hot Water - 50% Glycol
FLOW CHARACTERISTIC: Modified EQ%
SIZES: 2" - 8"
BODY: Ductile Iron ASTM A536
BODY COATING: Fusion Bonded Epoxy
BODY PRESSURE RATING: ASME/ANSI Class 125
WORKING PRESSURE: 250 PSI for -22°F to 100°F
END FITTING: Lugged ANSI Class 125/150 Flanged
DISC: 304SS
STEM: 416SS
SEAT: EPDM
O-RING: EPDM
BUSHING: PTFE
CLOSE OFF: 200 PSI
LEAKAGE: Bubble Tight Shutoff
TEMPERATURE RANGE: -22°F to 250°F
MAX FLUID VELOCITY: 30 FPS



SERIES L ACTUATOR

Rev. C

MINIMUM AIR SUPPLY: 20psig
MAXIMUM AIR SUPPLY: 30psig
AIR CONSUMPTION: 2 SCIM (0.55 mL/s)
STROKE:
 D-3153 - 3 INCHES
 D-3244 - 4 INCHES
 D-3246 - 6 INCHES
AMBIENT OPERATING CONDITIONS:
 -20 TO 150°F (-29° TO 66°C)
BODY: Die-cast Aluminum
DIAPHRAGM: Synthetic elastomer
EFFECTIVE DIAPHRAGM:
 D-3153 - 15 inch² (97 cm²)
 D-3244 & D-3246 - 23.4 inch² (151 cm²)
SPRING RANGE (nominal): 8 to 13 psig
AIR CONNECTION: 1/8" NPT Barbed fitting

PILOT POSITIONER

START POINT: Adjustable from 2 to 12 psig
SPAN: Adjustable from 3 to 13 psi
MAXIMUM AIR SUPPLY: 25 psig
AIR CONSUMPTION: 5 SCIM (1.4 mL/s)
AMBIENT OPERATING CONDITIONS:
 -20 TO 150°F (-29° TO 66°C)
AIR CONNECTION: 1/8" NPT Barbed fitting

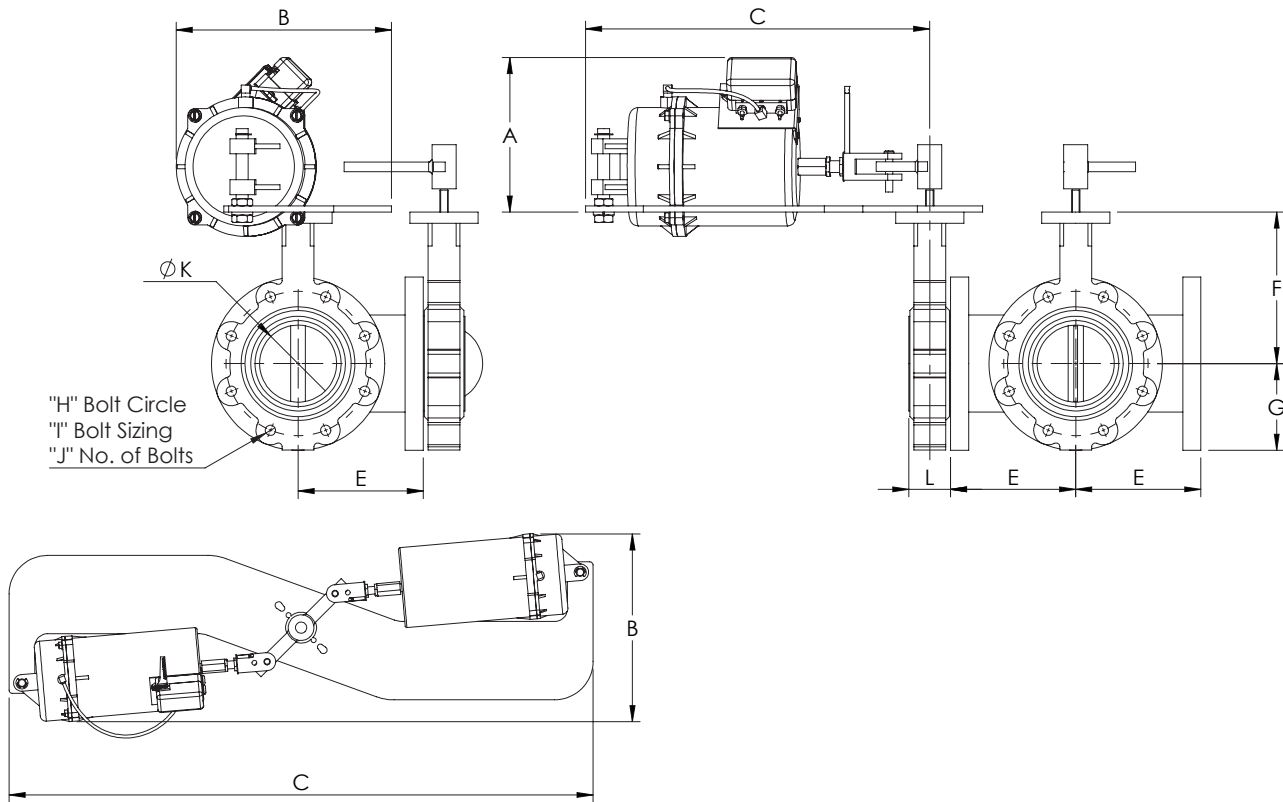
MODULATING LOW PRESSURE PNEUMATIC					
INCH	DIN (MM)	PRESSURE	Cv 60°	Cv 90°	VSI PN
2"	50	100	64	135	3S2120SS-02/D-3153-5120
2.5"	65	100	98	220	3S2120SS-25/D-3153-5120
3"	80	100	116	302	3S2120SS-03/D-3244-5100
4"	100	100	230	600	3S2120SS-04/D-3244-5100
5"	125	100	392	1022	3S2120SS-05/D-3246-5100
6"	150	100	605	1579	3S2120SS-06/D-3246-5100
8"	200	100	1202	3136	3S2120SS-08/D-3246-5100X2



SERIES 2120 - SERIES L

MODULATING LOW PRESSURE PNEUMATIC ACTUATORS
3-WAY 2" - 8" RESILIENT SEATED BUTTERFLY VALVES

DIMENSIONAL INFORMATION



DIMENSIONS: MM(INCHES)

PSI	VALVE SIZE		ACTUATOR	A	B	C	E	F	G	H	J x I	K	L
	INCH	DN											
200	2	50	D3153-5120	205.75 (8.1)	285.75 (11.25)	457.2 (18)	114.3 (4.5)	161 (6.34)	80 (3.15)	4.75	4 x 5/8 - 11	50.8 (2)	43 (1.69)
	2.5	65	D3153-5120	205.75 (8.1)	285.75 (11.25)	457.2 (18)	127 (5)	175 (6.89)	89 (3.5)	5.5	4 x 5/8 - 11	63.5 (2.5)	46 (1.81)
	3	75	D3244-5100	205.75 (8.1)	285.75 (11.25)	457.2 (18)	139.7 (5.5)	181 (7.13)	95 (3.74)	6	4 x 5/8 - 11	76.2 (3)	46 (1.81)
	4	100	D3244-5100	205.75 (8.1)	285.75 (11.25)	457.2 (18)	165.1 (6.5)	200 (7.87)	114 (4.49)	7.5	8 x 5/8 - 11	101.6 (4)	52 (2.05)
	5	125	D3246-5100	205.75 (8.1)	330.2 (13)	577.85 (22.75)	190.5 (7.5)	213 (8.39)	127 (5)	8.5	8 x 3/4 - 10	127 (5)	56 (2.2)
	6	150	D3246-5100	205.75 (8.1)	330.2 (13)	577.85 (22.75)	203.2 (8)	226 (8.9)	139 (5.47)	9.5	8 x 3/4 - 10	152.4 (6)	56 (2.2)
	8	200	D3246-5100 & D3246-5110	205.75 (8.1)	374.65 (14.75)	1155.7 (45.5)	228.6 (9.00)	260 (10.24)	175 (6.89)	11.75	8 x 3/4 - 10	203.2 (8)	60 (2.36)