



SERIES 2120 - SERIES C

DIRECT ACTING HIGH PRESSURE PNEUMATIC ACTUATORS
2" - 24" RESILIENT SEATED BUTTERFLY VALVES

SERIES 2120 BUTTERFLY VALVE

SERVICE: Chilled/Hot Water - 50% Glycol
FLOW CHARACTERISTIC: Modified EQ%
SIZES: 2" - 24"
BODY: Ductile Iron ASTM A536
BODY COATING: Fusion Bonded Epoxy
BODY PRESSURE RATING: ASME/ANSI Class 125
WORKING PRESSURE: 250 PSI for -22°F to 100°F
END FITTING: Lugged ANSI Class 125/150 Flanged
DISC: 304SS
STEM: 416SS
SEAT: EPDM
O-RING: EPDM
BUSHING: PTFE
CLOSE OFF: 200 PSI (2"-12") or 150 PSI (14"-24")
LEAKAGE: Bubble Tight Shutoff
TEMPERATURE RANGE: -22°F to 250°F
MAX FLUID VELOCITY: 30 FPS

ASCO 8551 Direct Mount Solenoid

Watt Rating and Power Consumption

DC Watts	AC Watts	VA Holding	VA Inrush
6.9	6.3	7	10.1

Temperature Range: AC 5°F to 140°F (-15°C to 60°C)
 DC 5°F to 77°F (-15°C to 25°C)

ALS-100 Limit Switch (Optional)

Position Indicator	Polycarbonate Dome
Switches	2x SPDT 5A 125-250 VAC micro-switches
Terminal Strip	Standard 8 Points
Cable Entry	2x 1/2" NPT
Mounting	NAMUR Standard shaft and bracket

Moniteur Series 40/41 Positioner

Moniteur Series 40 - Pneumatic 3-15 PSI

Moniteur Series 41 - Electro-Pneumatic 4-20mA (Optional)

Position Indicator: Flat Dial

PERFORMANCE

IMPEDANCE	N/A - Pneumatic 250 +/- 15 ohms - EP
REPEATABILITY	+/- 0.5%
HYSTERESIS	1% Maximum
LINEARITY	+/- 1.0% Maximum
SUPPLY RANGE	60 to 100 PSIG
AIR CONSUMPTION	0.26 SCFM - Pneumatic 0.15 SCFM - Electro-Pneumatic
TEMPERATURE RANGE	-4 to 158F / -20 to 70C

SERIES C ACTUATOR

Rev. D

MINIMUM AIR SUPPLY: 40 psi
MAXIMUM AIR SUPPLY: 130 psi
TORQUE RANGE: 124 - 40519 in/lb (~80 psi)
HOUSING: Die Cast Aluminum Alloy
TEMPERATURE: 0°C to +80°C
 -20°C to +80°C with dry air
 -40°C to +150°C in special execution
OPERATING MEDIA: Compressed filtered air
Standard NAMUR mounts for optional accessories

DOUBLE ACTING OPERATION (DA)

CCW

Air is supplied to Port A forcing the pistons away from each other (towards ends), rotating the drive pinion counter-clockwise and exhausting air out of Port B

CW

Air is supplied to Port B forcing the pistons toward each other (towards center), rotating the drive pinion clockwise and exhausting air out of Port A



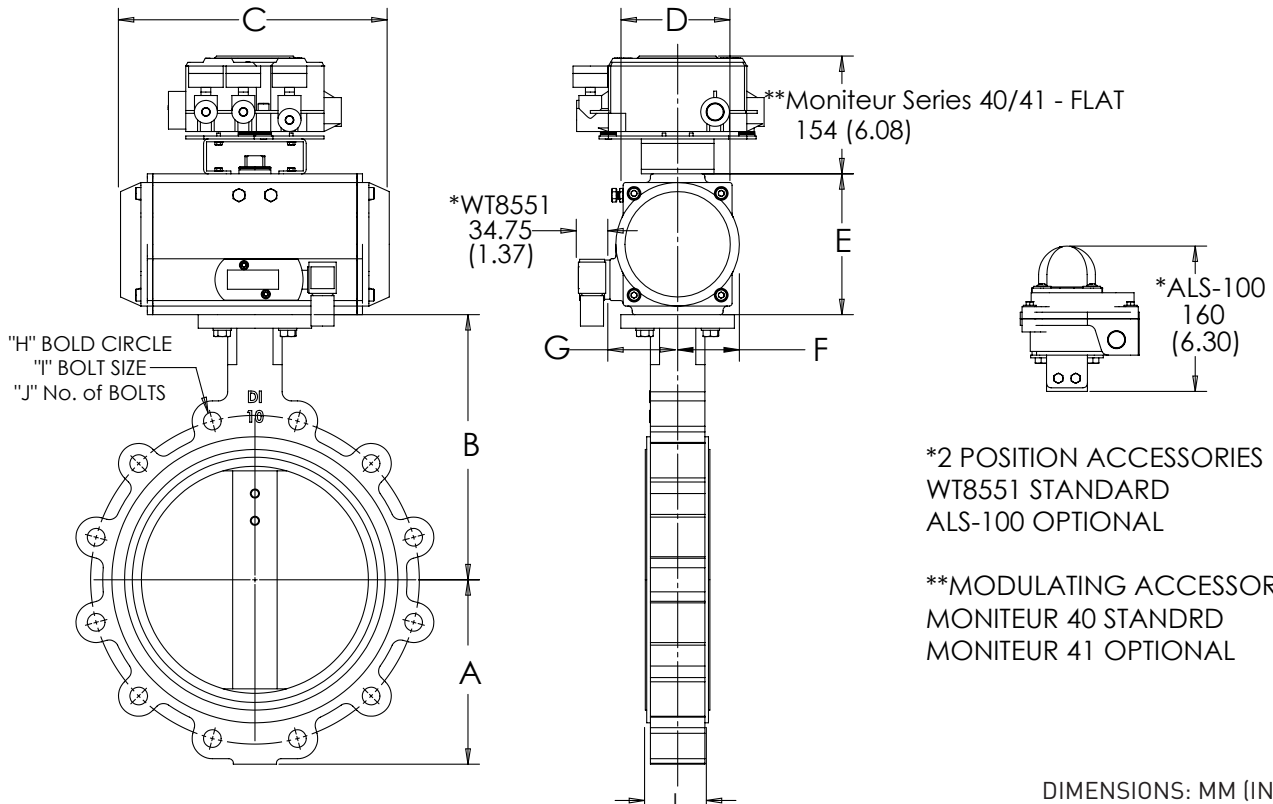
2 Position Configuration
Shown with optional limit switch



SERIES 2120 - SERIES C

DIRECT ACTING HIGH PRESSURE PNEUMATIC ACTUATORS
2" - 24" RESILIENT SEATED BUTTERFLY VALVES

DIMENSIONAL INFORMATION



DIMENSIONS: MM (INCHES)

PSI	VALVE SIZE		ACTUATOR	A	B	H	J x I	L	C	D	E	F	G
	INCH	DN											
200	2	50	C-DA063	80 (3.15)	161 (6.34)	4.75	4 x 5/8 - 11	43 (1.69)	168 (6.61)	72 (2.83)	87.5 (3.44)	36 (1.42)	47 (1.85)
	2.5	65	C-DA063	89 (3.50)	175 (6.89)	5.5	4 x 5/8 - 11	46 (1.81)	168 (6.61)	72 (2.83)	87.5 (3.44)	36 (1.42)	47 (1.85)
	3	75	C-DA063	95 (3.74)	181 (7.13)	6	4 x 5/8 - 11	46 (1.81)	168 (6.61)	72 (2.83)	87.5 (3.44)	36 (1.42)	47 (1.85)
	4	100	C-DA083	114 (4.49)	200 (7.87)	7.5	8 x 5/8 - 11	52 (2.05)	204 (8.03)	92 (3.62)	108.7 (4.28)	46 (1.81)	57 (2.24)
	5	125	C-DA092	127 (5.00)	213 (8.39)	8.5	8 x 3/4 - 10	56 (2.20)	262 (10.31)	98 (3.86)	116.5 (4.59)	50 (1.97)	58.5 (2.30)
	6	150	C-DA105	139 (5.47)	226 (8.90)	9.5	8 x 3/4 - 10	56 (2.20)	268 (10.55)	109.5 (4.31)	133 (5.24)	57.5 (2.26)	64 (2.52)
	8	200	C-DA125	175 (6.89)	260 (10.24)	11.75	8 x 3/4 - 10	60 (2.36)	301 (11.85)	127.5 (5.02)	155 (6.10)	67.5 (2.66)	74.5 (2.93)
	10	250	C-DA140	203 (7.99)	292 (11.50)	14.25	12 x 7/8 - 9	68 (2.68)	390 (15.35)	137.5 (5.41)	172 (6.77)	75 (2.95)	77 (3.03)
	12	300	C-DA160	242 (9.53)	337 (13.27)	17	12 x 7/8 - 9	78 (3.07)	458 (18.03)	158 (6.22)	197 (7.76)	87 (3.43)	87 (3.43)
150	14	350	C-DA160	267 (10.51)	368 (14.49)	18.75	12 x 1 - 8	78 (3.07)	458 (18.03)	158 (6.22)	197 (7.76)	87 (3.43)	87 (3.43)
	16	400	C-DA190	297 (11.69)	400 (15.75)	21.25	16 x 1 - 8	102 (4.02)	525 (20.67)	189 (7.44)	230 (9.06)	103 (4.06)	103 (4.06)
	18	450	C-DA240	318 (12.52)	422 (16.61)	22.75	16 x 1 1/8 - 7	114 (4.49)	602 (23.70)	245 (9.65)	319 (12.56)	130 (5.12)	130 (5.12)
	20	500	C-DA240	348.00 (13.70)	480.00 (18.90)	25	20 x 1 1/8 - 7	127.00 (5.00)	602 (23.70)	245 (9.65)	319 (12.56)	130 (5.12)	130 (5.12)
	24	600	C-DA300	444.00 (17.48)	562.00 (22.13)	29.5	20 x 1 1/4 - 7	154.00 (6.06)	742 (29.21)	324 (12.75)	348 (13.70)	162 (6.38)	162 (6.38)