



# SERIES 2110 - SERIES L

## MODULATING LOW PRESSURE PNEUMATIC ACTUATORS

### 2" - 12" RESILIENT SEATED BUTTERFLY VALVES

Rev. C

### SERIES 2110 BUTTERFLY VALVE

**SERVICE:** Chilled/Hot Water - 50% Glycol  
**FLOW CHARACTERISTIC:** Modified EQ%  
**SIZES:** 2" - 12"  
**BODY:** Ductile Iron ASTM A536  
**BODY COATING:** Fusion Bonded Epoxy  
**BODY PRESSURE RATING:** ASME/ANSI Class 125  
**WORKING PRESSURE:** 250 PSI for -22°F to 100°F  
**END FITTING:** Lugged ANSI Class 125/150 Flanged  
**DISC:** 304SS  
**STEM:** 416SS  
**SEAT:** EPDM  
**O-RING:** EPDM  
**BUSHING:** PTFE  
**CLOSE OFF:** 100 PSI  
**LEAKAGE:** Bubble Tight Shutoff  
**TEMPERATURE RANGE:** -22°F to 250°F  
**MAX FLUID VELOCITY:** 30 FPS

### SERIES L ACTUATOR

**MINIMUM AIR SUPPLY:** 20psig  
**MAXIMUM AIR SUPPLY:** 30psig  
**AIR CONSUMPTION:** 2 SCIM (0.55 mL/s)  
**STROKE:**  
 D-3153 - 3 INCHES  
 D-3244 - 4 INCHES  
 D-3246 - 6 INCHES  
**AMBIENT OPERATING CONDITIONS:**  
 -20 TO 150°F (-29° TO 66°C)  
**BODY:** Die-cast Aluminum  
**DIAPHRAGM:** Synthetic elastomer  
**EFFECTIVE DIAPHRAGM:**  
 D-3153 - 15 inch<sup>2</sup> (97 cm<sup>2</sup>)  
 D-3244 & D-3246 - 23.4 inch<sup>2</sup> (151 cm<sup>2</sup>)  
**SPRING RANGE (nominal):** 8 to 13 psig  
**AIR CONNECTION:** 1/8" NPT Barbed fitting

### PILOT POSITIONER

**START POINT:** Adjustable from 2 to 12 psig  
**SPAN:** Adjustable from 3 to 13 psi  
**MAXIMUM AIR SUPPLY:** 25 psig  
**AIR CONSUMPTION:** 5 SCIM (1.4 mL/s)  
**AMBIENT OPERATING CONDITIONS:**  
 -20 TO 150°F (-29° TO 66°C)  
**AIR CONNECTION:** 1/8" NPT Barbed fitting



MODULATING LOW PRESSURE PNEUMATIC					
INCH	DN (MM)	PRESSURE	Cv 60°	Cv 90°	VSI PN
2"	50	100	64	135	S2110SS-02/D3153-5120
2.5"	65	100	98	220	S2110SS-25/D3153-5120
3"	80	100	116	302	S2110SS-03/D3153-5120
4"	100	100	230	600	S2110SS-04/D3244-5100
5"	125	100	392	1022	S2110SS-05/D3244-5100
6"	150	100	605	1579	S2110SS-06/D3246-5100
8"	200	100	1202	3136	S2110SS-08/D3246-5100
10"	250	100	2047	5340	S2110SS-10/D3246-5100X2
12"	300	100	3162	8250	S2110SS-12/D3246-5100X2

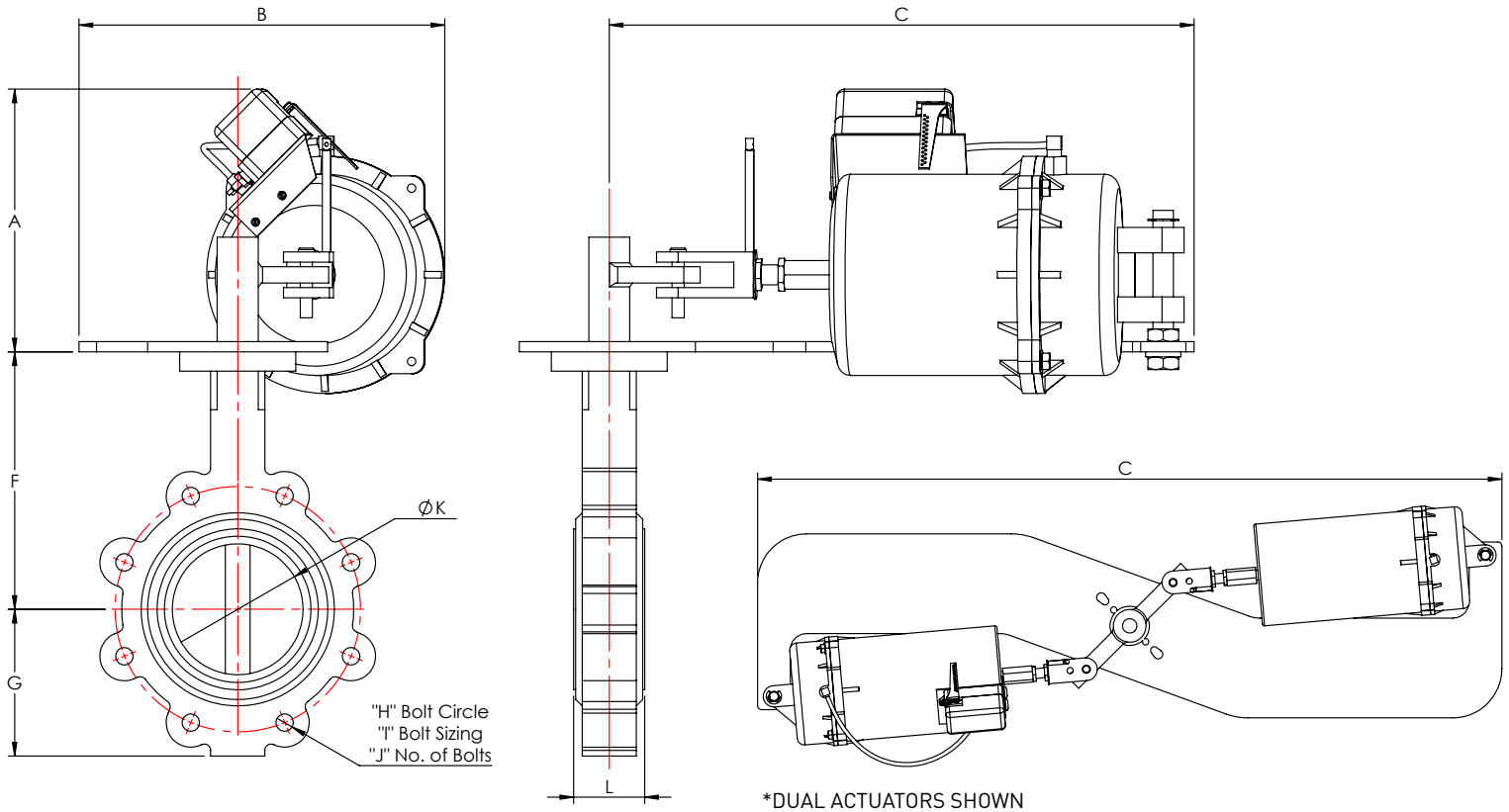
Please specify fail position when ordering.



# SERIES 2110 - SERIES L

MODULATING LOW PRESSURE PNEUMATIC ACTUATORS  
2" - 12" RESILIENT SEATED BUTTERFLY VALVES

## DIMENSIONAL INFORMATION



DIMENSIONS: MM(INCHES)

PSI	VALVE SIZE		ACTUATOR	A	B	C	F	G	H	J x I	K	L
	INCH	DN										
100	2	50	D3153-5120	205.75 (8.1)	285.75 (11.25)	457.2 (18)	161 (6.34)	80 (3.15)	4.75	4 x 5/8 - 11	50.8 (2)	43 (1.69)
	2.5	65	D3153-5120	205.75 (8.1)	285.75 (11.25)	457.2 (18)	175 (6.89)	89 (3.5)	5.5	4 x 5/8 - 11	63.5 (2.5)	46 (1.81)
	3	75	D3153-5120	205.75 (8.1)	285.75 (11.25)	457.2 (18)	181 (7.13)	95 (3.74)	6	4 x 5/8 - 11	76.2 (3)	46 (1.81)
	4	100	D3244-5100	205.75 (8.1)	285.75 (11.25)	457.2 (18)	200 (7.87)	114 (4.49)	7.5	8 x 5/8 - 11	101.6 (4)	52 (2.05)
	5	125	D3244-5100	205.75 (8.1)	285.75 (11.25)	457.2 (18)	213 (8.39)	127 (5)	8.5	8 x 3/4 - 10	127 (5)	56 (2.2)
	6	150	D3246-5100	205.75 (8.1)	330.2 (13)	577.85 (22.75)	226 (8.9)	139 (5.47)	9.5	8 x 3/4 - 10	152.4 (6)	56 (2.2)
	8	200	D3246-5100	205.75 (8.1)	330.2 (13)	577.85 (22.75)	260 (10.24)	175 (6.89)	11.75	8 x 3/4 - 10	203.2 (8)	60 (2.36)
	10	250	D3246-5100 & D3246-5110	205.75 (8.1)	374.65 (14.75)	1155.7 (45.5)	292 (11.5)	203 (7.99)	14.25	12 x 7/8 - 9	254 (10)	68 (2.68)
	12	300	D3246-5100 & D3246-5110	205.75 (8.1)	374.65 (14.75)	1155.7 (45.5)	337 (13.27)	242 (9.53)	17	12 x 7/8 - 9	304.8 (12)	78 (3.07)