



SERIES 2120 - 24V DCA

2 POSITION SIEMENS DAMPER ELECTRIC ACTUATORS
3 WAY 2" - 5" RESILIENT SEATED BUTTERFLY VALVES

Rev. B

SERIES 2120 BUTTERFLY VALVE

SERVICE: Chilled/Hot Water - 50% Glycol
FLOW CHARACTERISTIC: Modified EQ%
SIZES: 2" - 5"
BODY: Ductile Iron ASTM A536
BODY COATING: Fusion Bonded Epoxy
BODY PRESSURE RATING: ASME/ANSI Class 125
WORKING PRESSURE: 250 PSI for -22°F to 100°F
END FITTING: Lugged ANSI Class 125/150 Flanged
DISC: 304SS
STEM: 416SS
SEAT: EPDM
O-RING: EPDM
BUSHING: PTFE
CLOSE OFF: 200 PSI
LEAKAGE: Bubble Tight Shutoff
TEMPERATURE RANGE: -22°F to 250°F

DAMPER ACTUATORS

NEMA 2 PROTECTION
POWER SUPPLY: 24VAC ± 20% 50/60Hz
24VDC ± 10%
TEMPERATURE RANGE: -5°F to +125°F
RUNTIME: 75 to 150 sec

POWER CONSUMPTION

GEB131.1P: 3VA **GCA121.1P:** 7VA / 5W
GIB131.1P: 7VA

POWER CONNECTION

1/2" CONDUIT TO 3' CABLE (18 GA)



2 POSITION - NON-SPRING RETURN

INCH	DN (MM)	Cv 60°	Cv 90°	VSI PN
2"	50	64	135	3S2120SS-02/GEB131.1P
2.5"	65	98	220	3S2120SS-25/GIB131.1P
3"	80	116	302	3S2120SS-03/GIB131.1P
4"	100	230	600	3S2120SS-04/GIB131.1PX2

2 POSITION - SPRING RETURN ACTUATORS

INCH	DN (MM)	Cv 60°	Cv 90°	VSI PN
2"	50	64	135	3S2120SS-02/GCA121.1P
2.5"	65	98	220	3S2120SS-25/GCA121.1P
3"	80	116	302	3S2120SS-03/GCA121.1PX2

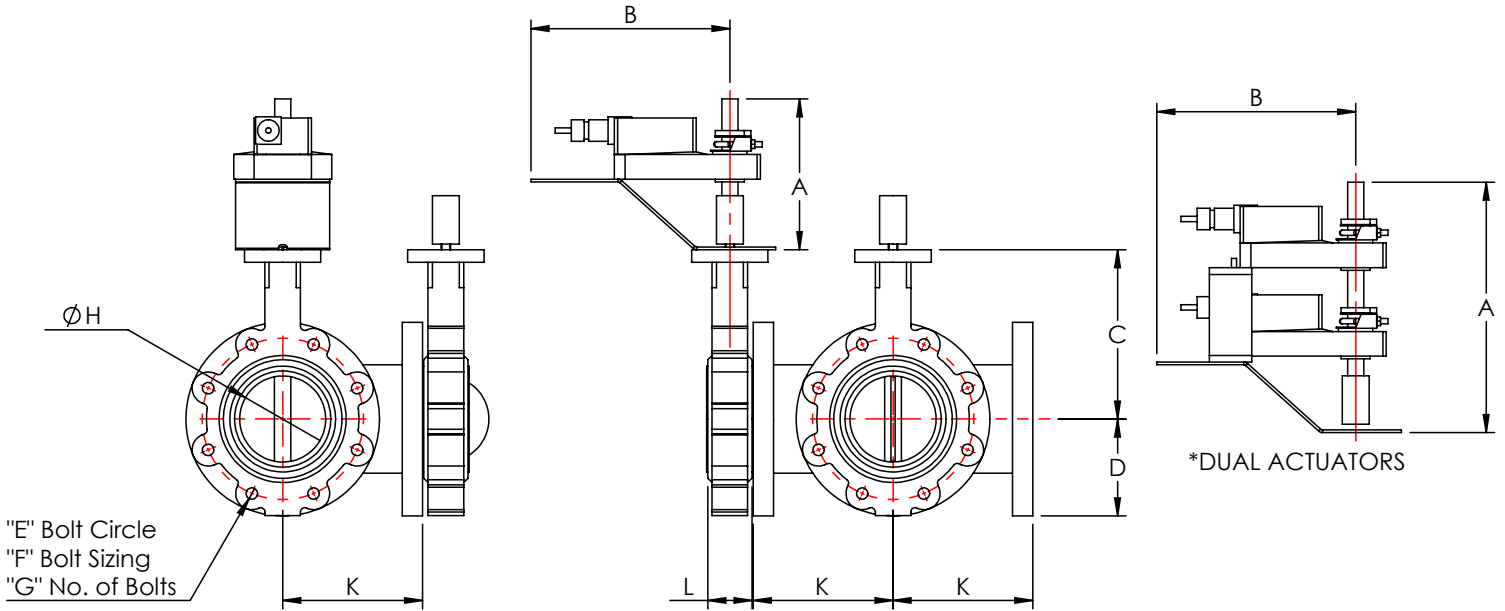
Please specify fail position when ordering.



SERIES 2120 - 24V DCA

2 POSITION SIEMENS DAMPER ELECTRIC ACTUATORS
3 WAY 2" - 5" RESILIENT SEATED BUTTERFLY VALVES

DIMENSIONAL INFORMATION



Dimensions: mm(Inches)

PSI	NON-SPRING RETURN ACTUATORS											
	VALVE SIZE		ACTUATOR	A	B	C	D	E	F x G	H	K	L
	INCH	DN										
200	2	50	GEB131.1P	177.8 (7)	234.95 (9.25)	161 (6.34)	80 (3.15)	4.75	4 x 5/8 - 11	50.8 (2)	114.3 (4.5)	43 (1.69)
	2.5	65	GIB131.1P	177.8 (7)	234.95 (9.25)	175 (6.89)	89 (3.5)	5.5	4 x 5/8 - 11	63.5 (2.5)	127 (5)	46 (1.81)
	3	75	GIB131.1P	285.75 (11.25)	234.95 (9.25)	181 (7.13)	95 (3.74)	6	4 x 5/8 - 11	76.2 (3)	139.7 (5.5)	46 (1.81)
	4	100	GIB131.1PX2	285.75 (11.25)	234.95 (9.25)	200 (7.87)	114 (4.49)	7.5	8 x 5/8 - 11	101.6 (4)	165.1 (6.5)	52 (2.05)
SPRING RETURN ACTUATORS												
200	2	50	GCA121.1P	177.8 (7)	234.95 (9.25)	161 (6.34)	80 (3.15)	4.75	4 x 5/8 - 11	50.8 (2)	114.3 (4.5)	43 (1.69)
	2.5	65	GCA121.1PX2	285.75 (11.25)	234.95 (9.25)	175 (6.89)	89 (3.5)	5.5	4 x 5/8 - 11	63.5 (2.5)	127 (5)	43 (1.69)
	3	75	GCA121.1PX2	285.75 (11.25)	234.95 (9.25)	181 (7.13)	95 (3.74)	6	4 x 5/8 - 11	76.2 (3)	139.7 (5.5)	43 (1.69)