



# SERIES 2110 - 24VDC/VAC

## MODULATING SIEMENS DAMPER ELECTRIC ACTUATORS 3 WAY 2" - 5" RESILIENT SEATED BUTTERFLY VALVES

### SERIES 2110 BUTTERFLY VALVE

**SERVICE:** Chilled/Hot Water - 50% Glycol  
**FLOW CHARACTERISTIC:** Modified EQ%  
**SIZES:** 2" - 6"  
**BODY:** Ductile Iron ASTM A536  
**BODY COATING:** Fusion Bonded Epoxy  
**BODY PRESSURE RATING:** ASME/ANSI Class 125  
**WORKING PRESSURE:** 250 PSI for -22°F to 100°F  
**END FITTING:** Lugged ANSI Class 125/150 Flanged  
**DISC:** 304SS  
**STEM:** 416SS  
**SEAT:** EPDM  
**O-RING:** EPDM  
**BUSHING:** PTFE  
**CLOSE OFF:** 100 PSI  
**LEAKAGE:** Bubble Tight Shutoff  
**TEMPERATURE RANGE:** -22°F to 250°F  
**MAX FLUID VELOCITY:** 30 FPS

### DAMPER ACTUATORS

**NEMA 2 PROTECTION**  
**POWER SUPPLY:** 24VAC ± 20% 50/60Hz  
 24VDC ± 10%  
**TEMPERATURE RANGE:** -5°F to +125°F  
**RUNTIME:** 75 to 150 sec  
**POWER CONSUMPTION**  
**GEB161.1P:** 5VA                      **GCA161.1P:** 7VA / 5W  
**GIB161.1P:** 8VA

**POWER CONNECTION**  
 1/2" CONDUIT TO 3' CABLE (18 GA)



MODULATING - NON-SPRING RETURN				
INCH	DN (MM)	Cv 60°	Cv 90°	VSI PN
2"	50	64	135	3S2110SS-02/GEB161.1P
2.5"	65	98	220	3S2110SS-25/GIB161.1P
3"	80	116	302	3S2110SS-03/GIB161.1P
4"	100	230	600	3S2110SS-04/GIB161.1PX2
5"	125	392	1022	3S2110SS-05/GIB161.1PX2
MODULATING - SPRING RETURN ACTUATORS				
INCH	DN (MM)	Cv 60°	Cv 90°	VSI PN
2"	50	64	135	3S2110SS-02/GCA1611P
2.5"	65	98	220	3S2110SS-25/GCA1611P
3"	80	116	302	3S2110SS-03/GCA1611PX2
4"	100	230	600	3S2110SS-04/GCA1611PX2

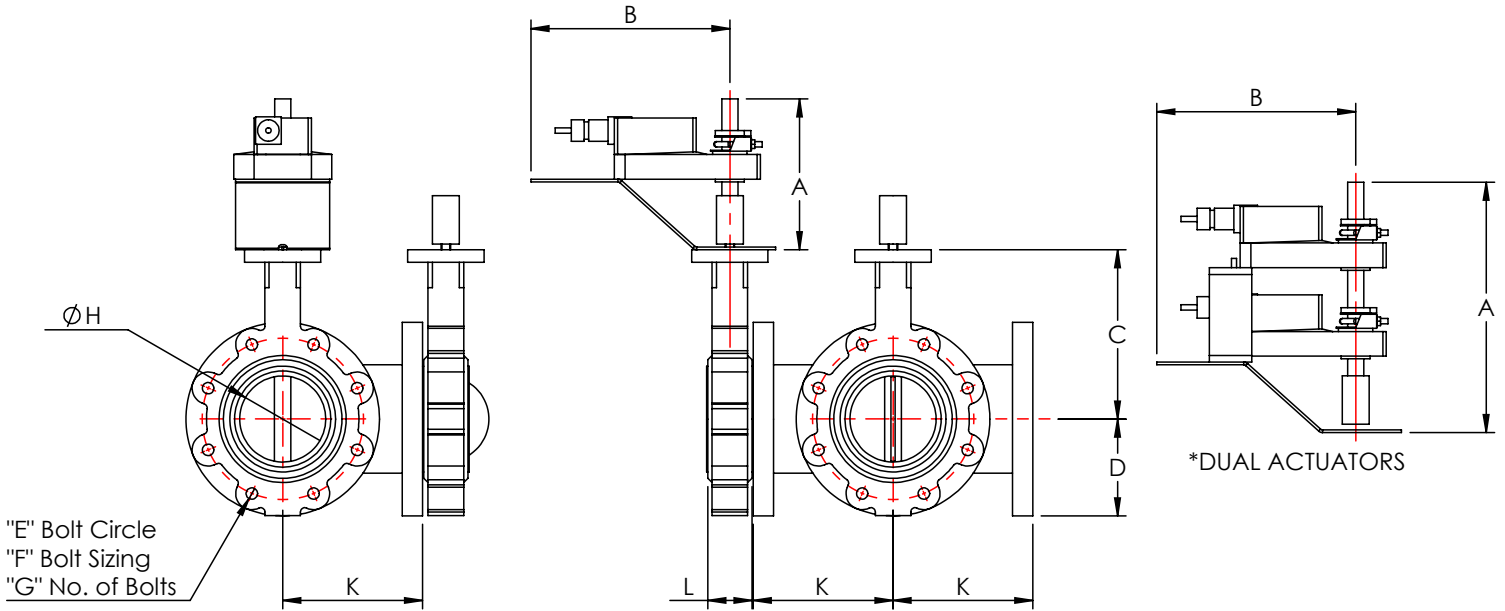
Please specify fail position when ordering.



# SERIES 2110 - 24VDC/VAC

MODULATING SIEMENS DAMPER ELECTRIC ACTUATORS  
3 WAY 2" - 5" RESILIENT SEATED BUTTERFLY VALVES

## DIMENSIONAL INFORMATION



Dimensions: mm(Inches)

PSI	NON-SPRING RETURN ACTUATORS											
	VALVE SIZE		ACTUATOR	A	B	C	D	E	F x G	H	K	L
	INCH	DN										
100 PSI	2	50	GEB161.1P	203.2 (8)	234.95 (9.25)	161 (6.34)	80 (3.15)	4.75	4 x 5/8 - 11	50.8 (2)	114.3 (4.5)	43 (1.69)
	2.5	65	GIB161.1P	203.2 (8)	234.95 (9.25)	175 (6.89)	89 (3.5)	5.5	4 x 5/8 - 11	63.5 (2.5)	127 (5)	46 (1.81)
	3	75	GIB161.1P	203.2 (8)	234.95 (9.25)	181 (7.13)	95 (3.74)	6	4 x 5/8 - 11	76.2 (3)	139.7 (5.5)	46 (1.81)
	4	100	GIB161.1PX2	342.9 (13.5)	234.95 (9.25)	200 (7.87)	114 (4.49)	7.5	8 x 5/8 - 11	101.6 (4)	165.1 (6.5)	52 (2.05)
	5	125	GIB161.1PX2	342.9 (13.5)	234.95 (9.25)	213 (8.39)	127 (5)	8.5	8 x 3/4 - 10	127 (5)	190.5 (7.5)	56 (2.2)
100 PSI	SPRING RETURN ACTUATORS											
	2	50	GCA161.1P	203.2 (8)	234.95 (9.25)	161 (6.34)	80 (3.15)	4.75	4 x 5/8 - 11	50.8 (2)	114.3 (4.5)	43 (1.69)
	2.5	65	GCA161.1P	203.2 (8)	234.95 (9.25)	175 (6.89)	89 (3.5)	5.5	4 x 5/8 - 11	63.5 (2.5)	127 (5)	46 (1.81)
	3	75	GCA161.1PX2	342.9 (13.5)	234.95 (9.25)	181 (7.13)	95 (3.74)	6	4 x 5/8 - 11	76.2 (3)	139.7 (5.5)	46 (1.81)
	4	100	GCA161.1PX2	342.9 (13.5)	234.95 (9.25)	200 (7.87)	114 (4.49)	7.5	8 x 5/8 - 11	101.6 (4)	165.1 (6.5)	52 (2.05)