



SERIES 2110 - 24VDC/VAC

2 POSITION SIEMENS DAMPER ELECTRIC ACTUATORS
3 WAY 2" - 5" RESILIENT SEATED BUTTERFLY VALVES

SERIES 2110 BUTTERFLY VALVE

SERVICE: Chilled/Hot Water - 50% Glycol
FLOW CHARACTERISTIC: Modified EQ%
SIZES: 2" - 6"
BODY: Ductile Iron ASTM A536
BODY COATING: Fusion Bonded Epoxy
BODY PRESSURE RATING: ASME/ANSI Class 125
WORKING PRESSURE: 250 PSI for -22°F to 100°F
END FITTING: Lugged ANSI Class 125/150 Flanged
DISC: 304SS
STEM: 416SS
SEAT: EPDM
O-RING: EPDM
BUSHING: PTFE
CLOSE OFF: 100 PSI
LEAKAGE: Bubble Tight Shutoff
TEMPERATURE RANGE: -22°F to 250°F
MAX FLUID VELOCITY: 30 FPS

DAMPER ACTUATORS

NEMA 2 PROTECTION
POWER SUPPLY: 24VAC ± 20% 50/60Hz
 24VDC ± 10%
TEMPERATURE RANGE: -5°F to +125°F
RUNTIME: 75 to 150 sec
POWER CONSUMPTION
GEB131.1P: 3VA
GCA121.1P: 7VA / 5W
GIB131.1P: 7VA
POWER CONNECTION
 1/2" CONDUIT TO 3' CABLE (18 GA)



2 POSITION - NON-SPRING RETURN				
INCH	DN (MM)	Cv 60°	Cv 90°	VSI PN
2"	50	64	135	3S2110SS-02/GEB131.1P
2.5"	65	98	220	3S2110SS-25/GIB131.1P
3"	80	116	302	3S2110SS-03/GIB131.1P
4"	100	230	600	3S2110SS-04/GIB131.1PX2
5"	125	392	1022	3S2110SS-05/GIB131.1PX2
2 POSITION - SPRING RETURN ACTUATORS				
INCH	DN (MM)	Cv 60°	Cv 90°	VSI PN
2"	50	64	135	3S2110SS-02/GCA121.1P
2.5"	65	98	220	3S2110SS-25/GCA121.1P
3"	80	116	302	3S2110SS-03/GCA121.1PX2
4"	100	230	600	3S2110SS-04/GCA121.1PX2

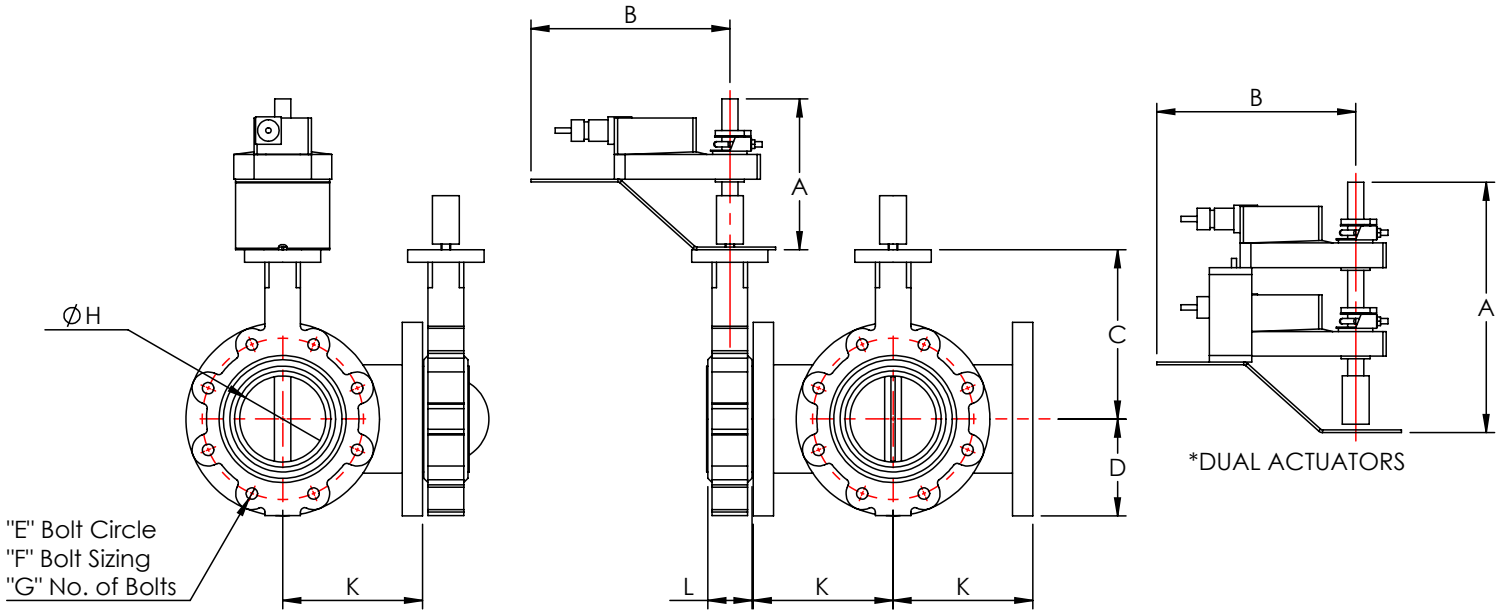
Please specify fail position when ordering.



SERIES 2110 - 24VDC/VAC

2 POSITION SIEMENS DAMPER ELECTRIC ACTUATORS
3 WAY 2" - 5" RESILIENT SEATED BUTTERFLY VALVES

DIMENSIONAL INFORMATION



Dimensions: mm(Inches)

PSI	NON-SPRING RETURN ACTUATORS											
	VALVE SIZE		ACTUATOR	A	B	C	D	E	F x G	H	K	L
	INCH	DN										
100	2	50	GEB131.1P	203.2 (8)	234.95 (9.25)	161 (6.34)	80 (3.15)	4.75	4 x 5/8 - 11	50.8 (2)	114.3 (4.5)	43 (1.69)
	2.5	65	GIB131.1P	203.2 (8)	234.95 (9.25)	175 (6.89)	89 (3.5)	5.5	4 x 5/8 - 11	63.5 (2.5)	127 (5)	46 (1.81)
	3	75	GIB131.1P	203.2 (8)	234.95 (9.25)	181 (7.13)	95 (3.74)	6	4 x 5/8 - 11	76.2 (3)	139.7 (5.5)	46 (1.81)
	4	100	GIB131.1PX2	342.9 (13.5)	234.95 (9.25)	200 (7.87)	114 (4.49)	7.5	8 x 5/8 - 11	101.6 (4)	165.1 (6.5)	52 (2.05)
	5	125	GIB131.1PX2	342.9 (13.5)	234.95 (9.25)	213 (8.39)	127 (5)	8.5	8 x 3/4 - 10	127 (5)	190.5 (7.5)	56 (2.2)
100	SPRING RETURN ACTUATORS											
	2	50	GCA121.1P	203.2 (8)	234.95 (9.25)	161 (6.34)	80 (3.15)	4.75	4 x 5/8 - 11	50.8 (2)	114.3 (4.5)	43 (1.69)
	2.5	65	GCA121.1P	203.2 (8)	234.95 (9.25)	175 (6.89)	89 (3.5)	5.5	4 x 5/8 - 11	63.5 (2.5)	127 (5)	46 (1.81)
	3	75	GCA121.1PX2	342.9 (13.5)	234.95 (9.25)	181 (7.13)	95 (3.74)	6	4 x 5/8 - 11	76.2 (3)	139.7 (5.5)	46 (1.81)
	4	100	GCA121.1PX2	342.9 (13.5)	234.95 (9.25)	200 (7.87)	114 (4.49)	7.5	8 x 5/8 - 11	101.6 (4)	165.1 (6.5)	52 (2.05)