



# SERIES 2110 - 24V DCA

## MODULATING BELIMO DAMPER ELECTRIC ACTUATORS

### 3 WAY 2" - 6" RESILIENT SEATED BUTTERFLY VALVES

Rev. C

### SERIES 2110 BUTTERFLY VALVE

**SERVICE:** Chilled/Hot Water - 50% Glycol  
**FLOW CHARACTERISTIC:** Modified EQ%  
**SIZES:** 2" - 6"  
**BODY:** Ductile Iron ASTM A536  
**BODY COATING:** Fusion Bonded Epoxy  
**BODY PRESSURE RATING:** ASME/ANSI Class 125  
**WORKING PRESSURE:** 250 PSI for -22°F to 100°F  
**END FITTING:** Lugged ANSI Class 125/150 Flanged  
**DISC:** 304SS  
**STEM:** 416SS  
**SEAT:** EPDM  
**O-RING:** EPDM  
**BUSHING:** PTFE  
**CLOSE OFF:** 100 PSI  
**LEAKAGE:** Bubble Tight Shutoff  
**TEMPERATURE RANGE:** -22°F to 250°F  
**MAX FLUID VELOCITY:** 30 FPS

### DAMPER ACTUATORS

**NEMA 2 PROTECTION**  
**POWER SUPPLY:** 24VAC ± 20% 50/60Hz  
 24VDC ± 10%  
**TEMPERATURE RANGE:** -5°F to +125°F  
**RUNTIME:** 75 to 150 sec

#### POWER CONSUMPTION

<b>AMB24-SR:</b> 5VA / 2.5W	<b>AFB24-SR:</b> 8.5VA / 5.5W
<b>GMB24-SR:</b> 6.5VA / 4.5W	<b>AFB24-MFT:</b> 10VA / 7.5W
	<b>EFB24-SR:</b> 14VA / 8W
	<b>EFX24-MFT:</b> 16VA / 9.5W
	<b>GKX24-MFT:</b> 21VA / 12W

#### POWER CONNECTION

1/2" CONDUIT TO 3' CABLE (18 GA)



MODULATING - NON-SPRING RETURN				
INCH	DN (MM)	Cv 60°	Cv 90°	VSI PN
2"	50	64	135	3S2110SS-02/AMB24-SR
2.5"	65	98	220	3S2110SS-25/AMB24-SR
3"	80	116	302	3S2110SS-03/AMB24-SR
4"	100	230	600	3S2110SS-04/GMB24-SR
5"	125	392	1022	3S2110SS-05/GMB24-SRX2
6"	150	605	1579	3S2110SS-06/GMB24-SRX2
MODULATING - SPRING RETURN ACTUATORS				
INCH	DN (MM)	Cv 60°	Cv 90°	VSI PN
2"	50	64	135	3S2110SS-02/AFB24-SR
2.5"	65	98	220	3S2110SS-25/AFB24-SR
3"	80	116	302	3S2110SS-03/AFB24-SR
4"	100	230	600	3S2110SS-04/AFB24-MFTX2
5"	125	392	1022	3S2110SS-05/EFX24-MFTX2
6"	150	605	1579	3S2110SS-06/GKX24-MFTX2

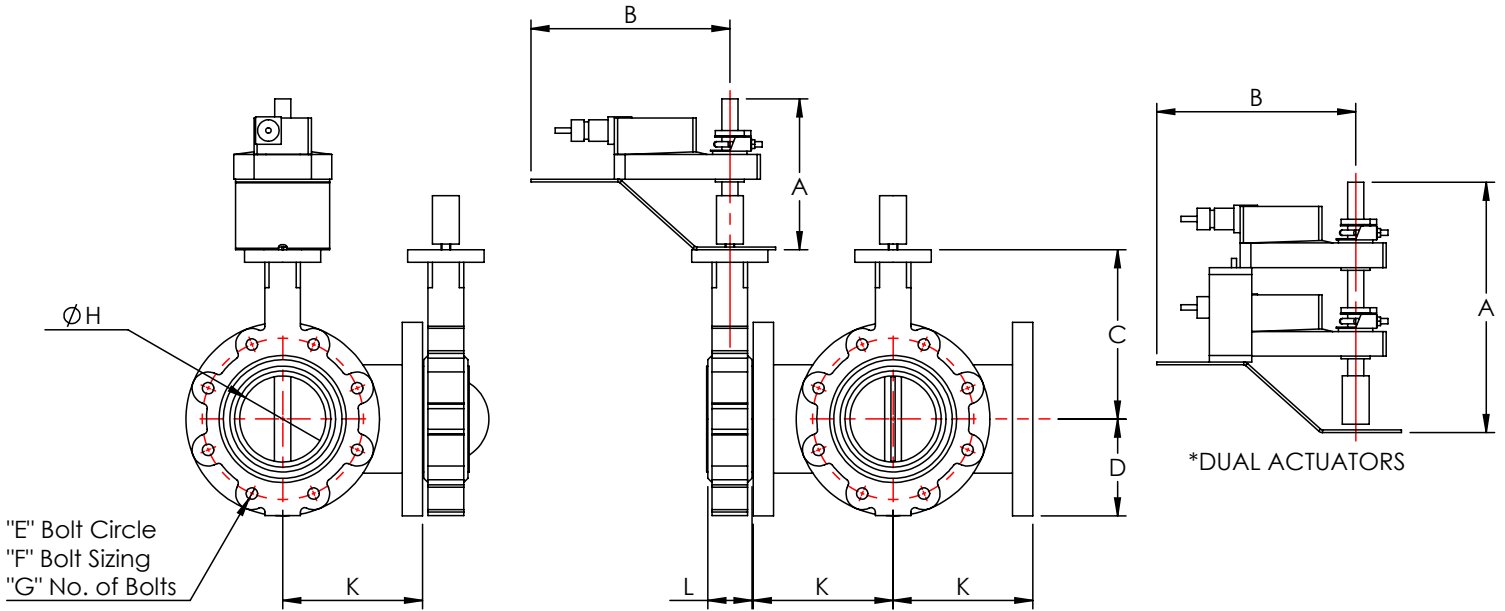
Please specify fail position when ordering.



# SERIES 2110 - 24V DCA

MODULATING BELIMO DAMPER ELECTRIC ACTUATORS  
3 WAY 2" - 6" RESILIENT SEATED BUTTERFLY VALVES

## DIMENSIONAL INFORMATION



Dimensions: mm(Inches)

NON-SPRING RETURN ACTUATORS												
PSI	VALVE SIZE		ACTUATOR	A	B	C	D	E	F x G	H	K	L
	INCH	DN										
100 PSI	2	50	AMB24-SR	203.2 (8)	234.95 (9.25)	161 (6.34)	80 (3.15)	4.75	4 x 5/8 - 11	50.8 (2)	114.3 (4.5)	43 (1.69)
	2.5	65	AMB24-SR	203.2 (8)	234.95 (9.25)	175 (6.89)	89 (3.5)	5.5	4 x 5/8 - 11	63.5 (2.5)	127 (5)	46 (1.81)
	3	75	AMB24-SR	203.2 (8)	234.95 (9.25)	181 (7.13)	95 (3.74)	6	4 x 5/8 - 11	76.2 (3)	139.7 (5.5)	46 (1.81)
	4	100	GMB24-SR	203.2 (8)	234.95 (9.25)	200 (7.87)	114 (4.49)	7.5	8 x 5/8 - 11	101.6 (4)	165.1 (6.5)	52 (2.05)
	5	125	GMB24-SRX2	342.9 (13.5)	234.95 (9.25)	213 (8.39)	127 (5)	8.5	8 x 3/4 - 10	127 (5)	190.5 (7.5)	56 (2.2)
	6	150	GMB24-SRX2	342.9 (13.5)	234.95 (9.25)	226 (8.9)	139 (5.47)	9.5	8 x 3/4 - 10	152.4 (6)	203.2 (8)	56 (2.2)
SPRING RETURN ACTUATORS												
100 PSI	2	50	AFB24-SR	203.2 (8)	234.95 (9.25)	161 (6.34)	80 (3.15)	4.75	4 x 5/8 - 11	50.8 (2)	114.3 (4.5)	43 (1.69)
	2.5	65	AFB24-SR	203.2 (8)	234.95 (9.25)	175 (6.89)	89 (3.5)	5.5	4 x 5/8 - 11	63.5 (2.5)	127 (5)	43 (1.69)
	3	75	AFB24-SR	203.2 (8)	234.95 (9.25)	181 (7.13)	95 (3.74)	6	4 x 5/8 - 11	76.2 (3)	139.7 (5.5)	43 (1.69)
	4	100	AFB24-MFTX2	203.2 (8)	234.95 (9.25)	200 (7.87)	114 (4.49)	7.5	8 x 5/8 - 11	101.6 (4)	165.1 (6.5)	52 (2.05)
	5	125	EFX24-MFTX2	342.9 (13.5)	234.95 (9.25)	213 (8.39)	127 (5)	8.5	8 x 3/4 - 10	127 (5)	190.5 (7.5)	56 (2.2)
	6	150	GKB24-MFTX2	342.9 (13.5)	234.95 (9.25)	226 (8.9)	139 (5.47)	9.5	8 x 3/4 - 10	152.4 (6)	203.2 (8)	56 (2.2)