



SERIES 2120 - 24V DCA

MODULATING JOHNSON CONTROLS DAMPER ELECTRIC ACTUATORS 2" - 5" RESILIENT SEATED BUTTERFLY VALVES

Rev. B

SERIES 2120 BUTTERFLY VALVE

SERVICE: Chilled/Hot Water - 50% Glycol
FLOW CHARACTERISTIC: Modified EQ%
SIZES: 2" - 5"
BODY: Ductile Iron ASTM A536
BODY COATING: Fusion Bonded Epoxy
BODY PRESSURE RATING: ASME/ANSI Class 125
WORKING PRESSURE: 250 PSI for -22°F to 100°F
END FITTING: Lugged ANSI Class 125/150 Flanged
DISC: 304SS
STEM: 416SS
SEAT: EPDM
O-RING: EPDM
BUSHING: PTFE
CLOSE OFF: 200 PSI
LEAKAGE: Bubble Tight Shutoff
TEMPERATURE RANGE: -22°F to 250°F

DAMPER ACTUATORS

NEMA 2 PROTECTION
POWER SUPPLY: 24VAC ± 20% 50/60Hz
 24VDC ± 10%
TEMPERATURE RANGE: -5°F to +125°F
RUNTIME: 75 to 150 sec

POWER CONSUMPTION

M9116-GGA-2: 7.5VA **M9220-GGA-3:** 20VA / 6.7W
M9132-GGA-2: 7.5VA

POWER CONNECTION
 1/2" CONDUIT TO 3' CABLE (18 GA)



MODULATING - NON-SPRING RETURN				
INCH	DN (MM)	Cv 60°	Cv 90°	VSI PN
2"	50	64	135	S2120SS-02/M9116-GGA-2
2.5"	65	98	220	S2120SS-25/M9132-GGA-2
3"	80	116	302	S2120SS-03/M9132-GGA-2
4"	100	230	600	S2120SS-04/M9132-GGA-2X2
5"	125	392	1022	S2120SS-05/M9132-GGA-2X2
MODULATING - SPRING RETURN ACTUATORS				
INCH	DN (MM)	Cv 60°	Cv 90°	VSI PN
2"	50	64	135	S2120SS-02/M9220-GGA-3
2.5"	65	98	220	S2120SS-25/M9220-GGA-3X2
3"	80	116	302	S2120SS-03/M9220-GGA-3X2

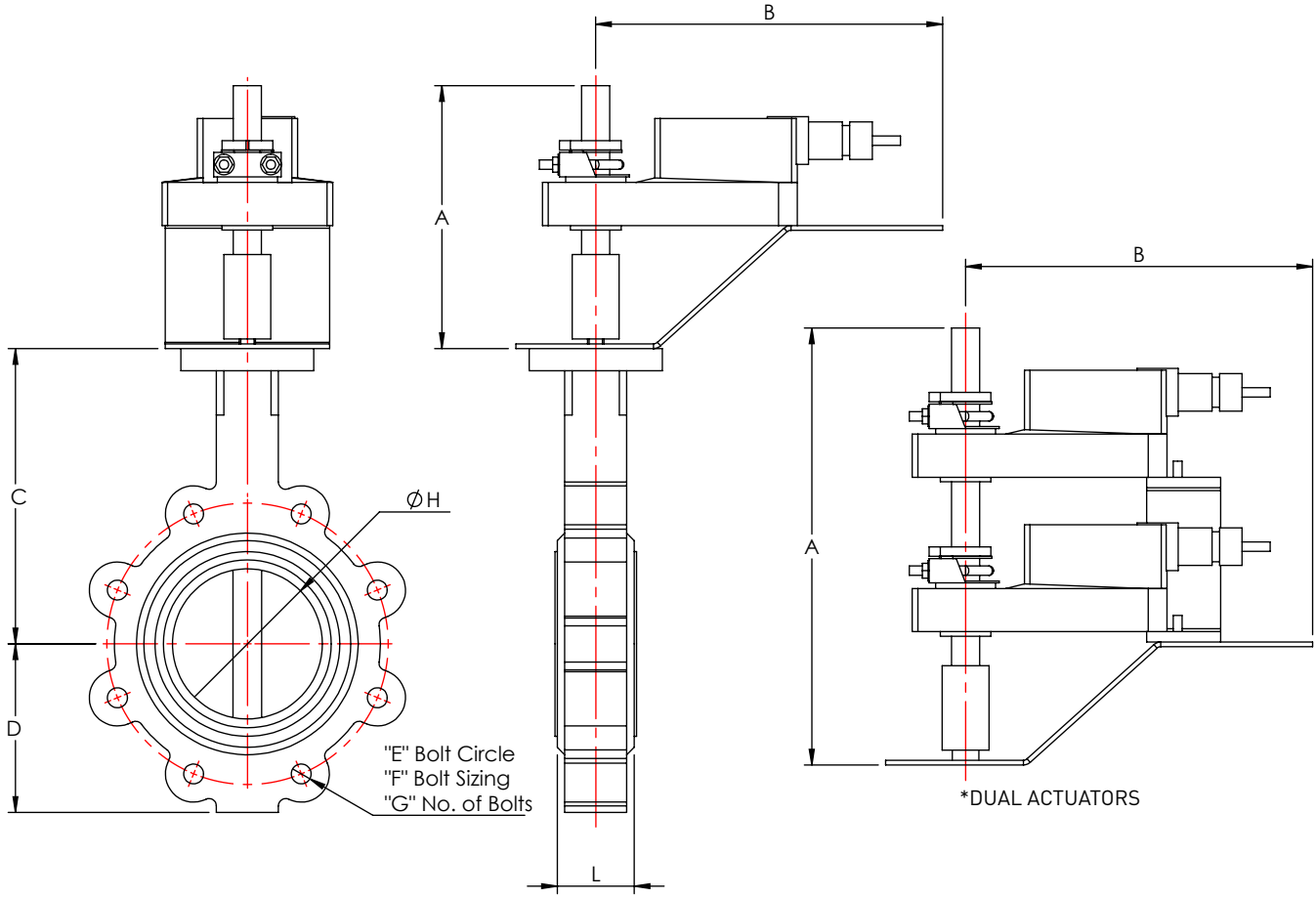
Please specify fail position when ordering.



SERIES 2120 - 24V DCA

MODULATING JOHNSON CONTROLS DAMPER ELECTRIC ACTUATORS
2" - 5" RESILIENT SEATED BUTTERFLY VALVES

DIMENSIONAL INFORMATION



DIMENSIONS: mm(inches)

NON-SPRING RETURN ACTUATORS												
PSI	VALVE SIZE		ACTUATOR	A	B	C	D	E	F x G	H	L	
	INCH	DN										
200 PSI	2	50	M9116-GGA-2	203.2 (8)	234.95 (9.25)	161 (6.34)	80 (3.15)	4.75	4 x 5/8 - 11	50.8 (2)	43 (1.69)	
	2.5	65	M9132-GGA-2	203.2 (8)	234.95 (9.25)	175 (6.89)	89 (3.5)	5.5	4 x 5/8 - 11	63.5 (2.5)	46 (1.81)	
	3	75	M9132-GGA-2	203.2 (8)	234.95 (9.25)	181 (7.13)	95 (3.74)	6	4 x 5/8 - 11	76.2 (3)	46 (1.81)	
	4	100	M9132-GGA-2X2	342.9 (13.5)	234.95 (9.25)	200 (7.87)	114 (4.49)	7.5	8 x 5/8 - 11	101.6 (4)	52 (2.05)	
	5	125	M9132-GGA-2X2	342.9 (13.5)	234.95 (9.25)	226 (8.9)	127 (5)	8.5	8 x 3/4 - 10	127 (5)	56 (2.2)	
	SPRING RETURN ACTUATORS											
	2	50	M9220-GGA-3	203.2 (8)	234.95 (9.25)	161 (6.34)	80 (3.15)	4.75	4 x 5/8 - 11	50.8 (2)	43 (1.69)	
	2.5	65	M9220-GGA-3X2	342.9 (13.5)	234.95 (9.25)	175 (6.89)	89 (3.5)	5.5	4 x 5/8 - 11	63.5 (2.5)	43 (1.69)	
3	75	M9220-GGA-3X2	342.9 (13.5)	234.95 (9.25)	181 (7.13)	95 (3.74)	6	4 x 5/8 - 11	76.2 (3)	43 (1.69)		