

## SERIES 2110 BUTTERFLY VALVE

- SERVICE:** Chilled/Hot Water - 50% Glycol
- FLOW CHARACTERISTIC:** Modified EQ%
- SIZES:** 2" - 6"
- BODY:** Ductile Iron ASTM A536
- BODY COATING:** Fusion Bonded Epoxy
- BODY PRESSURE RATING:** ASME/ANSI Class 125
- WORKING PRESSURE:** 250 PSI for -22°F to 100°F
- END FITTING:** Lugged ANSI Class 125/150 Flanged
- DISC:** 304SS
- STEM:** 416SS
- SEAT:** EPDM
- O-RING:** EPDM
- BUSHING:** PTFE
- CLOSE OFF:** 100 PSI
- LEAKAGE:** Bubble Tight Shutoff
- TEMPERATURE RANGE:** -22°F to 250°F
- MAX FLUID VELOCITY:** 30 FPS



## DAMPER ACTUATORS

### NEMA 2 PROTECTION

**POWER SUPPLY:** 24VAC ± 20% 50/60Hz  
24VDC ± 10%

**TEMPERATURE RANGE:** -5°F to +125°F

**RUNTIME:** 75 to 150 sec

### POWER CONSUMPTION

**GEB161.1P:** 5VA

**GCA161.1P:** 7VA / 5W

**GIB161.1P:** 8VA

### POWER CONNECTION

1/2" CONDUIT TO 3' CABLE (18 GA)

### MODULATING - NON-SPRING RETURN

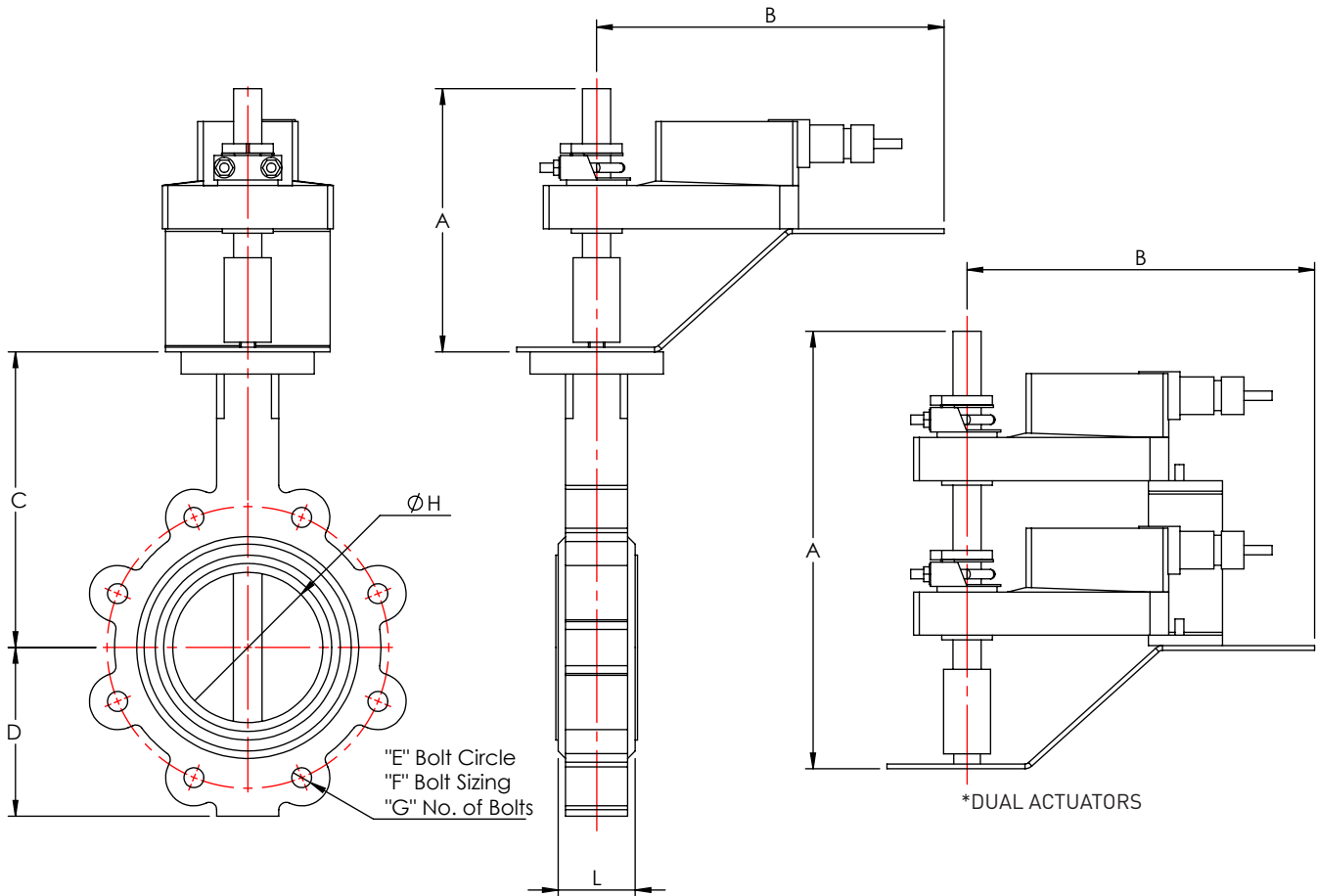
INCH	DN (MM)	Cv 60°	Cv 90°	VSI PN
2"	50	64	135	S2110SS-02/GEB161.1P
2.5"	65	98	220	S2110SS-25/GIB161.1P
3"	80	116	302	S2110SS-03/GIB161.1P
4"	100	230	600	S2110SS-04/GIB161.1P
5"	125	392	1022	S2110SS-05/GIB161.1PX2
6"	150	605	1579	S2110SS-06/GIB161.1PX2

### MODULATING - SPRING RETURN ACTUATORS

INCH	DN (MM)	Cv 60°	Cv 90°	VSI PN
2"	50	64	135	S2110SS-02/GCA161.1P
2.5"	65	98	220	S2110SS-25/GCA161.1P
3"	80	116	302	S2110SS-03/GCA161.1PX2
4"	100	230	600	S2110SS-04/GCA161.1PX2

Please specify fail position when ordering.

## DIMENSIONAL INFORMATION



DIMENSIONS: MM (INCHES)

NON-SPRING RETURN ACTUATORS											
PSI	VALVE SIZE		ACTUATOR	A	B	C	D	E	F x G	H	L
	INCH	DN									
100 PSI	2	50	GEB161.1P	203.2 (8)	234.95 (9.25)	161 (6.34)	80 (3.15)	4.75	4 x 5/8 - 11	50.8 (2)	43 (1.69)
	2.5	65	GIB161.1P	203.2 (8)	234.95 (9.25)	175 (6.89)	89 (3.5)	5.5	4 x 5/8 - 11	63.5 (2.5)	46 (1.81)
	3	75	GIB161.1P	203.2 (8)	234.95 (9.25)	181 (7.13)	95 (3.74)	6	4 x 5/8 - 11	76.2 (3)	46 (1.81)
	4	100	GIB161.1P	203.2 (8)	234.95 (9.25)	200 (7.87)	114 (4.49)	7.5	8 x 5/8 - 11	101.6 (4)	52 (2.05)
	5	125	GIB161.1PX2	342.9 (13.5)	234.95 (9.25)	213 (8.39)	127 (5)	8.5	8 x 3/4 - 10	127 (5)	56 (2.2)
	6	150	GIB161.1PX2	342.9 (13.5)	234.95 (9.25)	226 (8.9)	139 (5.47)	9.5	8 x 3/4 - 10	152.4 (6)	56 (2.2)
SPRING RETURN ACTUATORS											
100 PSI	2	50	GCA161.1P	203.2 (8)	234.95 (9.25)	161 (6.34)	80 (3.15)	4.75	4 x 5/8 - 11	50.8 (2)	43 (1.69)
	2.5	65	GCA161.1P	203.2 (8)	234.95 (9.25)	175 (6.89)	89 (3.5)	5.5	4 x 5/8 - 11	63.5 (2.5)	46 (1.81)
	3	75	GCA161.1PX2	203.2 (8)	234.95 (9.25)	181 (7.13)	95 (3.74)	6	4 x 5/8 - 11	76.2 (3)	46 (1.81)
	4	100	GCA161.1PX2	342.9 (13.5)	234.95 (9.25)	200 (7.87)	114 (4.49)	7.5	8 x 5/8 - 11	101.6 (4)	52 (2.05)