



SERIES 2110 - 24VDC/VAC

2 POSITION BELIMO DAMPER ELECTRIC ACTUATORS

2" - 6" RESILIENT SEATED BUTTERFLY VALVES

SERIES 2110 BUTTERFLY VALVE

SERVICE: Chilled/Hot Water - 50% Glycol
FLOW CHARACTERISTIC: Modified EQ%
SIZES: 2" - 6"
BODY: Ductile Iron ASTM A536
BODY COATING: Fusion Bonded Epoxy
BODY PRESSURE RATING: ASME/ANSI Class 125
WORKING PRESSURE: 250 PSI for -22°F to 100°F
END FITTING: Lugged ANSI Class 125/150 Flanged
DISC: 304SS
STEM: 416SS
SEAT: EPDM
O-RING: EPDM
BUSHING: PTFE
CLOSE OFF: 100 PSI
LEAKAGE: Bubble Tight Shutoff
TEMPERATURE RANGE: -22°F to 250°F
MAX FLUID VELOCITY: 30 FPS



DAMPER ACTUATORS

NEMA 2 PROTECTION

POWER SUPPLY: 24VAC ± 20% 50/60Hz
 24VDC ± 10%

TEMPERATURE RANGE: -5°F to +125°F

RUNTIME: 75 to 150 sec

POWER CONSUMPTION

AMB24-3: 5.5VA / 2.5W

AFB24: 7.5VA / 5W

GMB24-3: 6VA / 4W

GKX24-MFT: 21VA / 12W

POWER CONNECTION

1/2" CONDUIT TO 3' CABLE (18 GA)

2 POSITION - NON-SPRING RETURN

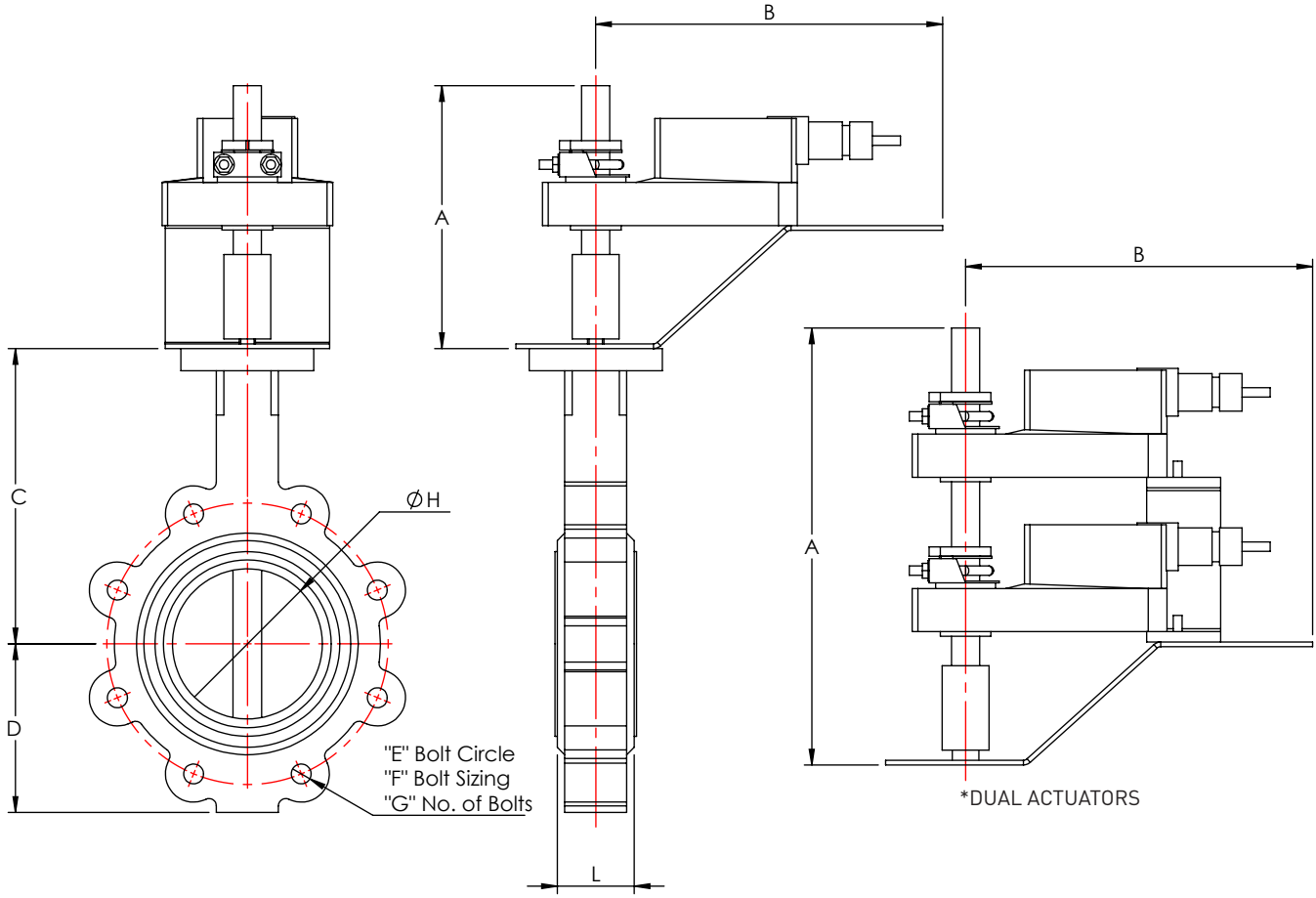
| INCH | DN (MM) | Cv 60° | Cv 90° | VSI PN |
|------|---------|--------|--------|----------------------|
| 2" | 50 | 64 | 135 | S2110SS-02/AMB24-3 |
| 2.5" | 65 | 98 | 220 | S2110SS-25/AMB24-3 |
| 3" | 80 | 116 | 302 | S2110SS-03/AMB24-3 |
| 4" | 100 | 230 | 600 | S2110SS-04/GMB24-3 |
| 5" | 125 | 392 | 1022 | S2110SS-05/GMB24-3 |
| 6" | 150 | 605 | 1579 | S2110SS-06/GMB24-3X2 |

2 POSITION - SPRING RETURN ACTUATORS

| INCH | DN (MM) | Cv 60° | Cv 90° | VSI PN |
|------|---------|--------|--------|-------------------------|
| 2" | 50 | 64 | 135 | S2110SS-02/AFB24 |
| 2.5" | 65 | 98 | 220 | S2110SS-25/AFB24 |
| 3" | 80 | 116 | 302 | S2110SS-03/AFB24 |
| 4" | 100 | 230 | 600 | S2110SS-04/EFB24-3 |
| 5" | 125 | 392 | 1022 | S2110SS-05/GKX24-3 |
| 6" | 150 | 605 | 1579 | S2110SS-06/DKRX24-MFT-T |

Please specify fail position when ordering.

DIMENSIONAL INFORMATION



DIMENSIONS: MM (INCHES)

| NON-SPRING RETURN ACTUATORS | | | | | | | | | | | |
|-----------------------------|------------|-----|--------------|--------------|---------------|------------|------------|------|--------------|------------|-----------|
| PSI | VALVE SIZE | | ACTUATOR | A | B | C | D | E | F x G | H | L |
| | INCH | DN | | | | | | | | | |
| 100 PSI | 2 | 50 | AMB24-3 | 203.2 (8) | 234.95 (9.25) | 161 (6.34) | 80 (3.15) | 4.75 | 4 x 5/8 - 11 | 50.8 (2) | 43 (1.69) |
| | 2.5 | 65 | AMB24-3 | 203.2 (8) | 234.95 (9.25) | 175 (6.89) | 89 (3.5) | 5.5 | 4 x 5/8 - 11 | 63.5 (2.5) | 46 (1.81) |
| | 3 | 75 | AMB24-3 | 203.2 (8) | 234.95 (9.25) | 181 (7.13) | 95 (3.74) | 6 | 4 x 5/8 - 11 | 76.2 (3) | 46 (1.81) |
| | 4 | 100 | GMB24-3 | 203.2 (8) | 234.95 (9.25) | 200 (7.87) | 114 (4.49) | 7.5 | 8 x 3/4 - 11 | 101.6 (4) | 52 (2.05) |
| | 5 | 125 | GMB24-3 | 203.2 (8) | 234.95 (9.25) | 213 (8.39) | 127 (5) | 8.5 | 8 x 3/4 - 10 | 127 (5) | 56 (2.2) |
| | 6 | 150 | GMB24-3X2 | 342.9 (13.5) | 234.95 (9.25) | 226 (8.9) | 139 (5.47) | 9.5 | 8 x 3/4 - 10 | 152.4 (6) | 56 (2.2) |
| SPRING RETURN ACTUATORS | | | | | | | | | | | |
| 100 PSI | 2 | 50 | AFB24 | 203.2 (8) | 234.95 (9.25) | 161 (6.34) | 80 (3.15) | 4.75 | 4 x 5/8 - 11 | 50.8 (2) | 43 (1.69) |
| | 2.5 | 65 | AFB24 | 203.2 (8) | 234.95 (9.25) | 175 (6.89) | 89 (3.5) | 5.5 | 4 x 5/8 - 11 | 63.5 (2.5) | 46 (1.81) |
| | 3 | 75 | AFB24 | 203.2 (8) | 234.95 (9.25) | 181 (7.13) | 95 (3.74) | 6 | 4 x 5/8 - 11 | 76.2 (3) | 46 (1.81) |
| | 4 | 100 | EFB24-3 | 203.2 (8) | 237.5 (9.35) | 200 (7.87) | 114 (4.49) | 7.5 | 8 x 3/8 - 11 | 101.6 (4) | 52 (2.05) |
| | 5 | 125 | GKX24-3 | 201.2 (7.92) | 181.3 (7.13) | 213 (8.39) | 127 (5) | 8.5 | 8 x 3/4 - 10 | 127 (5) | 56 (2.2) |
| | 6 | 150 | DKRX24-MFT-T | 235.9 (9.29) | 145.03 (5.71) | 226 (8.9) | 139 (5.47) | 9.5 | 8 x 3/4 - 10 | 152.4 (6) | 56 (2.2) |