



BALL VALVE - 24V DCA

2 POSITION/FLOATING SIEMENS DAMPER ELECTRIC ACTUATORS

1/2" - 3" BRASS BODY, 3-WAY BALL VALVES

3-WAY BALL VALVES

STATIC PRESSURE: 360 psi
CLOSE-OFF PRESSURE: 50 psi (1/2" - 1")
 40 psi (1.25" - 2 1/2")
 70 psi (3")
TEMPERATURE: -22°F - 250°F
BODY: FORGED BRASS ASTM B283-06
END CONNECTIONS: FEMALE NPT
BALL: NICKEL-PLATED BRASS
STEM: BRASS
STEM SEALS: DUAL TEFLON SEALS AND EPDM O-RING
BALL SEALS: TEFLON SEALS WITH EPDM O-RINGS
FLOW CHARACTERISTIC: EQUAL PERCENTAGE
FLOW CHARACTERIZER: GLASS FILLED POLYMER
LEAKAGE RATE: CLASS IV
CONTROLLED MEDIUM: CHILLED WATER, HOT WATER,
 50% WATER-GLYCOL SOLUTIONS

2 POSITION DAMPER ACTUATORS

NEMA 2 PROTECTION
POWER SUPPLY: 24VAC ± 20% 50/60Hz
 24VDC ± 10%
TEMPERATURE RANGE: -5°F to +125°F
RUNTIME: 75 to 150 sec

POWER CONSUMPTION

GDE.131.1P: 2.3VA

GMA.121.1P: 5VA / 3.5W

POWER CONNECTION

1/2" CONDUIT TO 3' CABLE (18 GA)



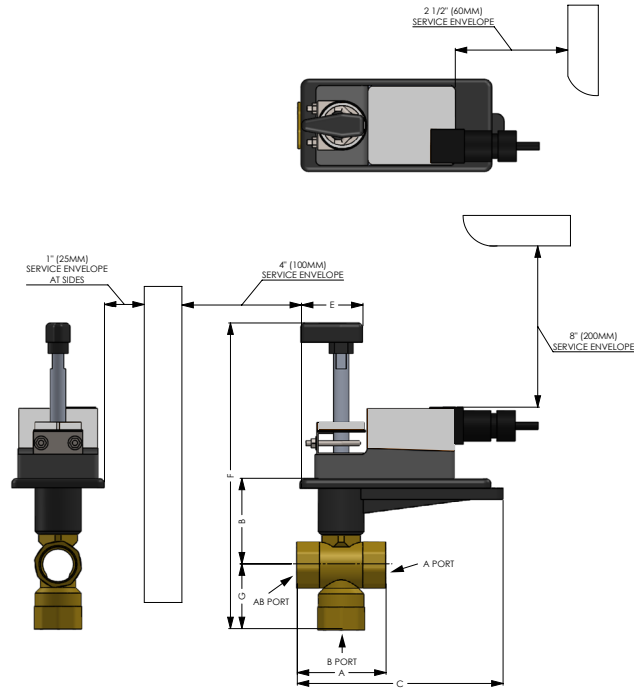
VALVE INFORMATION				NON-SPRING RETURN	SPRING RETURN
SIZE	MODEL #	Cv	CLOSE-OFF	GDE.131.1P	GMA.121.1P
1/2"	UR3AAFB	0.33	50 PSI		
	UR3ABFB	0.59			
	UR3ACFB	1.0			
	UR3ADFB	2.4			
	UR3AEFB	4.3			
	UR3AFFB	8.0			
3/4"	UR3BAFB	0.40	50 PSI		
	UR3BBFB	0.66			
	UR3BCFB	1.3			
	UR3BDFB	2.4			
	UR3BEFB	3.8			
1"	UR3CAFB	0.40	50 PSI		
	UR3CBFB	0.65			
	UR3CCFB	1.3			
	UR3CDFB	2.3			
	UR3CEFB	3.5			
	UR3CFFB	10.0			
	UR3CGFB	8.6			
	UR3CHFB	22.3			
	UR3CJFB	14.9			
	UR3CKFB	4.5			
1 1/4"	UR3DBFB*	19.4	40 PSI		
	UR3DCFB	14.7			
	UR3DDFB	4.1			
	UR3DEFB	8.7			
	UR3DFFB*	34.1			
	UR3DGBF	26.8			
1 1/2"	UR3EAFB	13.4	40 PSI		
	UR3EBFB	4.0			
	UR3ECFB	8.3			
	UR3EDFB*	32.0			
	UR3EEFB	23.5			
2"	UR3FAFB	23.9	40 PSI		
	UR3FBFB	56.7			
	UR3FCFB	38.2			
	UR3FDFB	108.5			
2 1/2"	UR3G1FB	38.1	40 PSI		
	UR3G2FB	74.1			
	UR3G3FB*	99.5			
3"	UR3HAFB	75.0	70 PSI		
	UR3HBFB	100.0			
	UR3HCFB	125.0			
	UR3HDFB	150.0			
	UR3HEFB	175.0			
UR3HFFB*	200.0				



BALL VALVE - 24V DCA

2 POSITION/FLOATING SIEMENS DAMPER ELECTRIC ACTUATORS

1/2" - 3" BRASS BODY, 3-WAY BALL VALVES



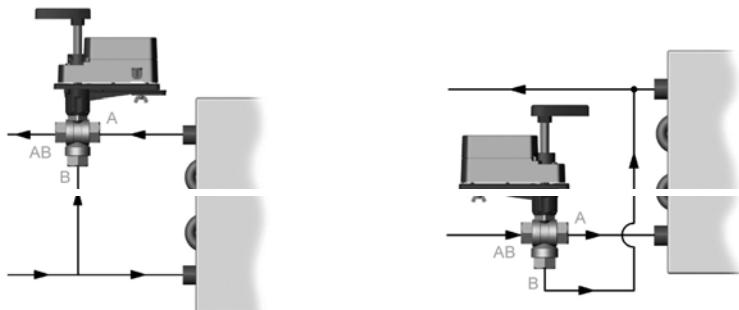
Dimensions

VALVE SIZE	MODEL	MODEL (Cv)	A	B	C	E	F	G
1/2"	UR3A_	A(0.33), B(0.59), C(1.0), D(2.4), E(4.3), F(8.0)	2.7	3.4	7.0	2.02	9.5	2.0
3/4"	UR3B_	A(0.40), B(0.66), C(1.3), D(2.4), E(3.8), F(11.0)	2.8	3.4	6.5	2.02	8.9	2.0
1"	UR3C_	A(0.40), B(0.65), C(1.3), D(2.3), E(3.5), F(10.0)	2.8	3.4	7.3	2.02	9.6	2.1
		G(8.6), H(22.3)	3.0	3.9	6.8		9.9	2.4
		J(14.9), K(4.5), M(30.8)	4.3	4.1	7.8		10.9	3.3
1 1/4"	UR3D_	B(19.4), D(4.1), E(8.7)	3.0	3.9	6.8	2.02	9.9	2.4
		C(12.7), F(34.1), G(26.8)	3.6	4.1	7.3		10.4	2.8
1 1/2"	UR3E_	A(13.4), B(4.0), C(8.3), D(32.0)	3.4	4.1	7.8	2.02	10.9	2.7
		E(23.5), F(61.1)	4.0	4.6	7.3		11.1	3.2
2"	UR3F_	A(23.9), B(56.7), C(38.2)	4.0	4.6	7.3	2.02	11.1	3.2
		D(108.5), E(82.6)	5.0	5.9	7.8		12.4	3.8
2-1/2"	UR3G_	A(38.1), B(74.1), C(99.5)	5.3	5.9	7.8	2.0	12.4	4.1
3"	UR3H_	A(75.0), B(100.0), C(125.0), D(150.0), E(175.0), F(200.0)	9.4	4.5	10.1	2.0	12.3	2.8

Inch (mm)

PIPING CONFIGURATIONS

Our 3-Way ball allows the same 3-Way valve to be installed in either a mixing or diverting configuration without sacrificing any performance or Cv. (Valve shown is 1/2"-2-1/2". 3" valve has bypass port in Z plane.)



Mixing — fluid enters through two inlets (A, B) and exits through one outlet (AB)

Diverting — fluid enters through one inlet (AB) and exits through two outlets (A, B)