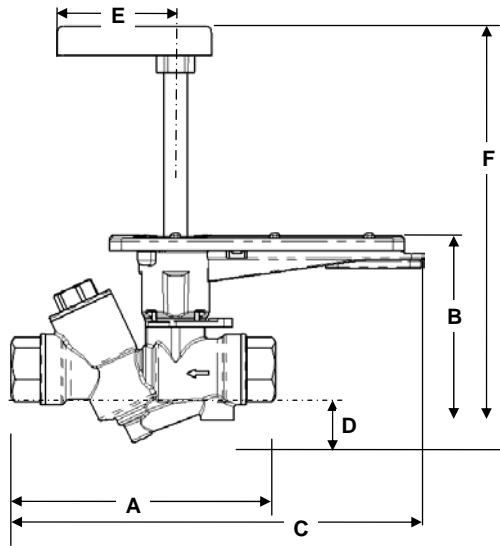


PRESSURE INDEPENDENT CONTROL VALVE SPECIFICATIONS



Static Pressure:	360 PSI
Temperature Range:	-22°F to 250°F
Service:	Chilled water, hot water, up to 50% Glycol
Flow Optimizer:	Glass Filled Polymer
Cartridge:	Poly-oxy methaline and hydrogenated acrylonitrile-butadiene rubber
Body Material:	Forged Brass ASTM B584
End Connections:	Brass
Stem:	Brass
Stem Seals:	EPDM O-Rings
Ball Valve:	Nickel-Plated Brass Ball
Ball Seals:	Teflon Seals with EPDM O-Rings
Body Tappings:	P/T Test Valve

DIMENSIONS & WEIGHTS (NOMINAL) (measured in inches/lbs. unless noted)

SIZE	A LENGTH ¹	B HEIGHT	C LENGTH ¹	D HEIGHT	E HANDLE	F HEIGHT	WEIGHT
1/2"	5.7	4.3	8.6	1.03	2.5	8.4	.9
3/4"	5.7		8.6				
1"	5.9		8.7				
1"L	9	4.6	10.9	1.6		9.4	1.5
1-1/4"	8.4		10.6				
1-1/2"	8.2		10.5				
1-1/2"L	10	5.2	12.1	2.1		10.4	3.6
2"	9.9		12				

HIGH LIMIT FLOW RATES (+/-5%)

To correctly size your valve, select a high limit flow rate that is equal to or greater than the required flow rate.

SIZE	MODEL NO.	PSID RANGE	HEAD LOSS IN FEET ²	CLOSE-OFF PSID ³	GPM
1/2", 3/4", 1"	SPV03	5.8-60	13.4	100	0.5, 1.0, 1.5, 2.5, 3.5, 4.5, 5.5, 6.5, 7.5
1"L, 1-1/4", 1-1/2"	SPV12	2.9-60	6.7	100	10, 15, 20, 25
1-1/2"L, 2"	SPV22	2.9-60	6.7	100	25, 30, 35, 40, 45, 50, 55

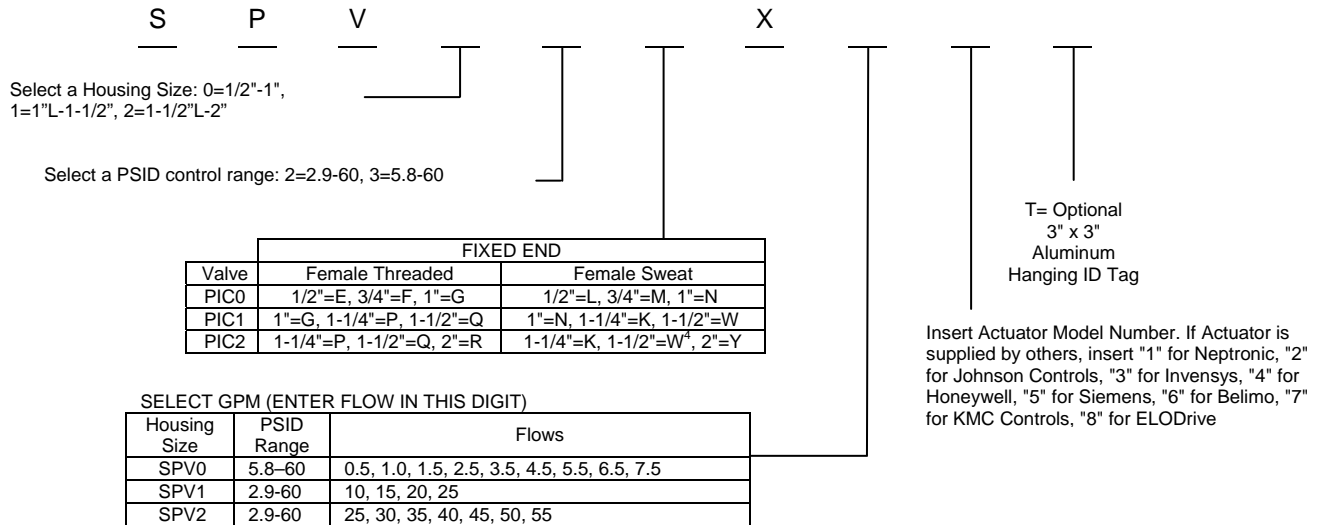
NOTES:

¹ Length measured with fixed end FNPT; SWT end connection may be longer.

² Head loss in feet is required for pump head calculations. (1 PSI = 2.307 feet of water).

³ Close-Off Pressures measured with 35 in-lb. actuator. The "Close Off Pressure" is the maximum allowable pressure drop across the valve body when the valve is fully closed.

MODEL NUMBER SELECTION



NOTES:

⁴ Sweat Fixed end not available for this size. A fixed end with sweat adapter can be used as a substitute.