

# SERIES 75

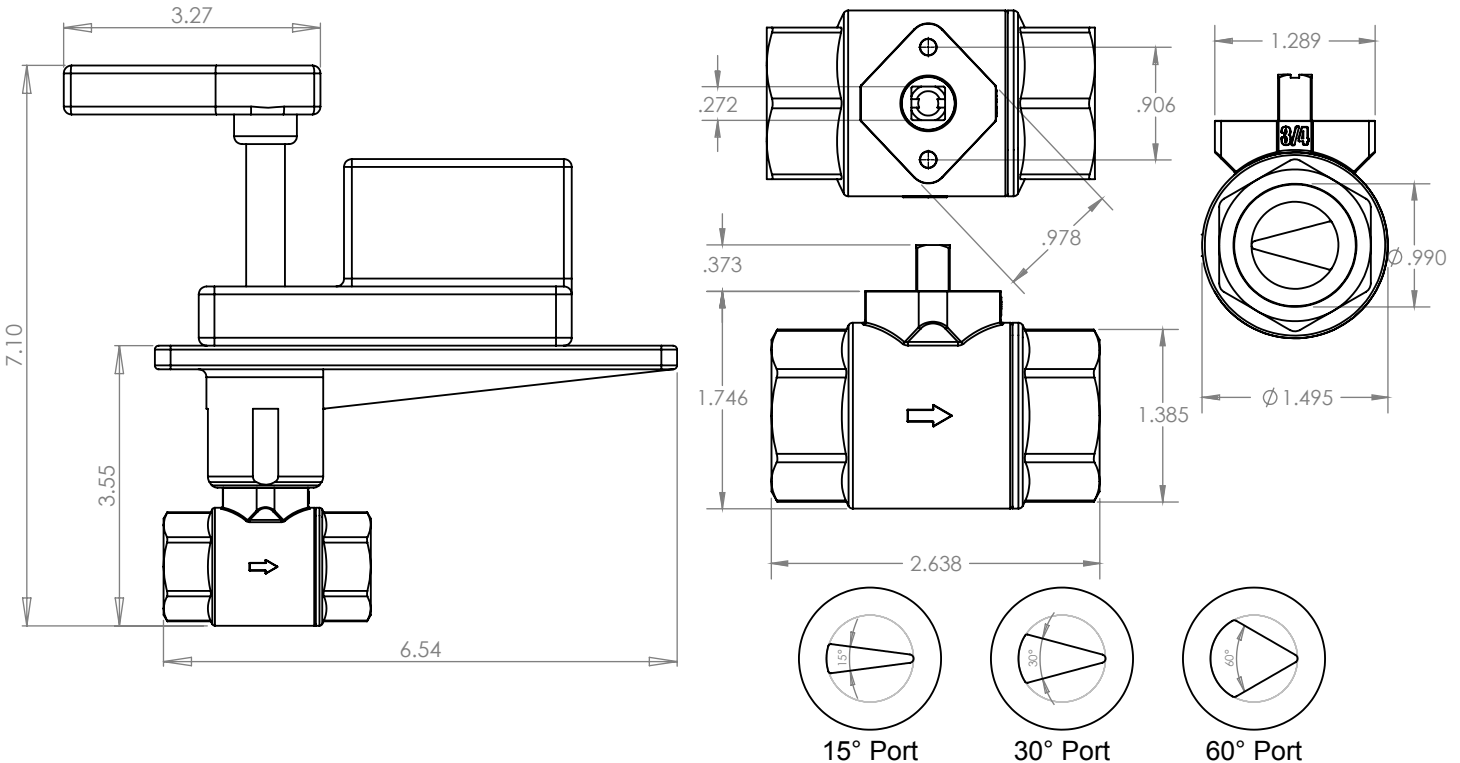


### SPECIFICATIONS

<b>Static Pressure/Temp:</b>	500psi / 300° F
<b>Flow Characteristic:</b>	Equal Percentage
<b>Body Material:</b>	Forged Brass 2 Piece Construction
<b>End Connections:</b>	Brass - 3/4" NPT
<b>Ball:</b>	Stainless Steel
<b>Ball Seals:</b>	PTFE Seals with Viton O-Rings
<b>Stem Seals:</b>	Single PTFE Seal and Dual Viton O-Rings
<b>Service:</b>	Chilled Water, Hot Water, up to 50% Glycol, 30psi Steam

### V NOTCH BALL ALLOWS FOR:

- 300 to 1 turn down ratio for precise control
- Low torque - Will accept most 24V damper actuators
- Ideal control for low pressure steam (30psi)
- Available in 15°, 30° & 60° ball notches for optimum controllability



Flow Coefficients (Cv) for 3/4" Series 75 Ball Valves										
Notch Opening	Valve Rotation in Degrees									
	10°	20°	30°	40°	50°	60°	70°	75°*	80°	90°
15°	.09	.17	.3	.5	.8	1.1	1.5	1.8	2.3	2.9
30°	.1	.2	.5	.7	1.2	2	2.6	3.3	4.4	5.3
60°	.1	.3	.8	1.3	1.8	3.1	4.3	6.3	8.7	11

\*Maximum Recommended Controllable C<sub>v</sub>