

Floating & ON/OFF Control, 0-95° Output Angle, Auto Protection System, Universal Coupling



### TECHNICAL DATA

|                     |                                   |
|---------------------|-----------------------------------|
| Power Supply        | AC/DC 24V±10%                     |
| Output Torque       | 85in-lb (10Nm)                    |
| Run Time*           | 80s-130s                          |
| Operating Power     | 6VA                               |
| Standstill Power    | 1-3VA                             |
| Output Angle        | 90° (95° Max)                     |
| Control Signal      | Floating & 2 Point On/Off Control |
| Universal Coupling  | Ø10-18mm or □6-12mm               |
| Overload Protection | Automatic                         |
| Protection Class    | IP54 / NEMA2                      |
| Ambient Conditions  | -10°C - +55°C 0-90% Rh            |
| Noise Level(Max)    | 40dB(A)                           |
| Weight              | 2.2 lb / 1 kg                     |

### BASIC FEATURES

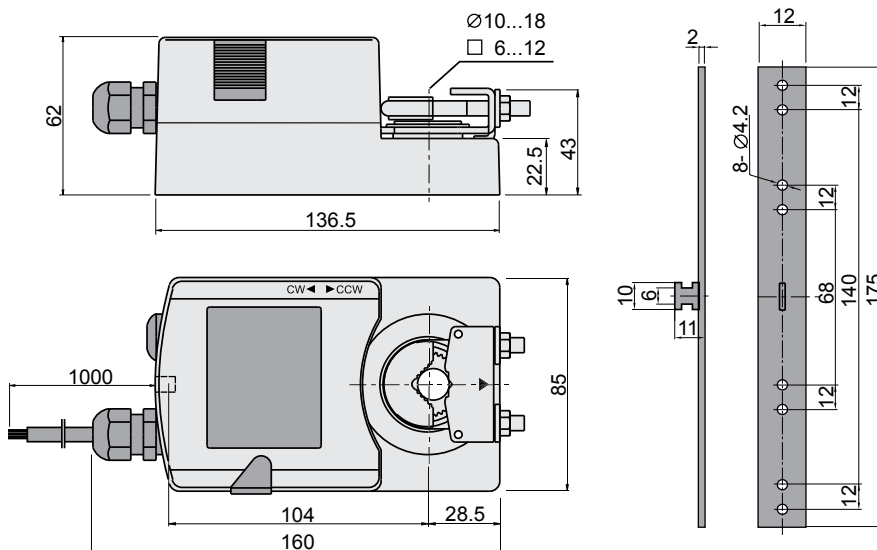
| Type       | Output/Hold Torque | Voltage  | Control Signal | Operating Power | Standstill Power | Run Time | Output Angle |
|------------|--------------------|----------|----------------|-----------------|------------------|----------|--------------|
| EMO-85F-24 | 85in-lb(10Nm)      | AC/DC24V | 3 & 2 Point    | 6VA             | 1-3VA            | 80s-130s | 0-95°        |

\*Dependent on load

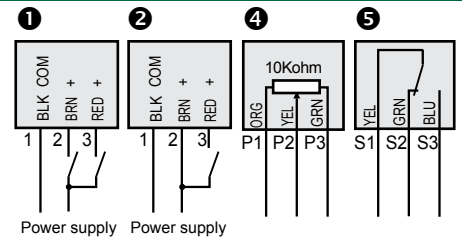
### OPTIONAL FEATURES

| Type        | Descriptions             |
|-------------|--------------------------|
| EMO-85F-24P | Potentiometer (10kohm)   |
| EMO-85F-24S | Microswitch (3A, AC250V) |
| EMO-85F-110 | 110VAC Power Supply      |

### DIMENSIONS (mm)



### WIRING DESCRIPTIONS



| Wiring Diagrams | Power Supply    |
|-----------------|-----------------|
| EMO...-24       | 1 or 2 AC/DC24V |
| EMO...-P        | 1 + 4 AC/DC24V  |
|                 | 2 + 4 AC/DC24V  |
| EMO...-S        | 1 + 5 AC/DC24V  |
|                 | 2 + 5 AC/DC24V  |



226201  
Certified to UL 429  
NRTL

