

2 Point ON/OFF Control, 0-95° Output Angle, Auto Protection System, Universal Coupling



TECHNICAL DATA

Power Supply	AC/DC 24V±10%
Output Torque	70in-lb(8Nm)
Run Time (Motor Drive)*	60s-80s
Return Time (Spring Return)*	20s-30s
Operating Power	6-8VA
Standstill Power	3VA
Output Angle	90° (95° Max)
Control Signal	2 Point On/Off Control
Universal Coupling	Ø8-21mm or □6-15mm
Overload Protection	Automatic
Protection Class	IP54 / NEMA2
Ambient Conditions	-10°C - +55°C 0-90% Rh
Noise Level	Motor Max:40dB(A) Spring ≈ 65dB(A)
Weight	4.6 lb / 2.1 kg

BASIC FEATURES

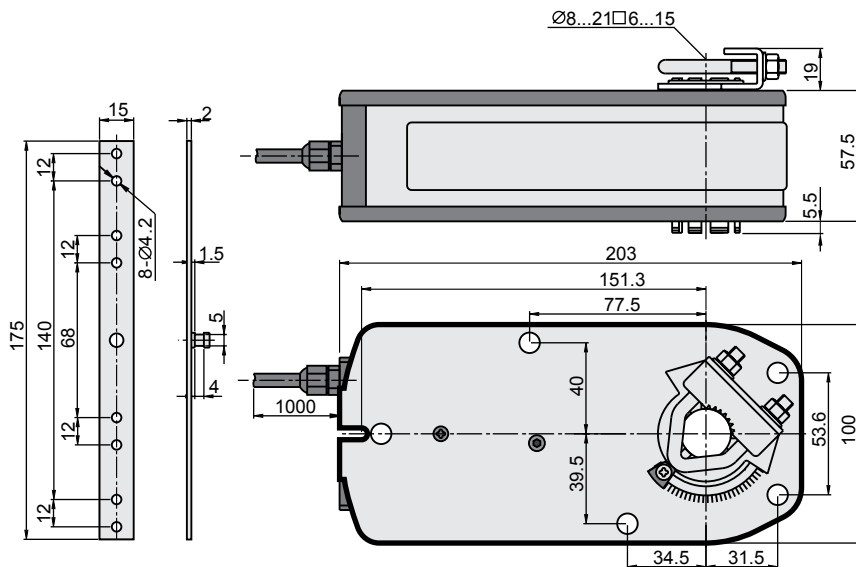
Type	Output/Hold Torque	Voltage	Control Signal	Operating Power	Standstill Power	Run Time*	Return Time*	Output Angle
EMO-70S-24SR	70in-lb(8Nm)	AC/DC24V	2 Point	6-8VA	3VA	60s-80s	20s-30s	0-95°

*Dependent on load

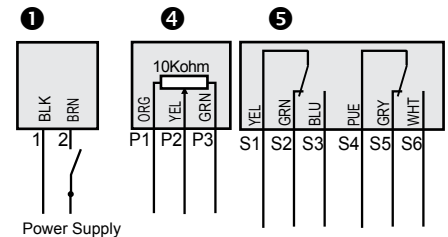
OPTIONAL FEATURES

Type	Descriptions
EMO-70S-24PSR	Potentiometer (10kohm)
EMO-70S-24SSR	Microswitch (3A, AC250V)

DIMENSIONS (mm)



WIRING DESCRIPTIONS



Wiring Diagrams	Power Supply
EMO...-SR	1 AC/DC24V
EMO...-PSR	1+4 AC/DC24V
EMO...-SSR	1+5 AC/DC24V



226201
Certified to UL 429
NRTL