



TECHNICAL DATA

Power Supply	AC/DC 24V±10%
Output Torque	35in-lb (4Nm)
Run Time*	90s-110s
Operating Power	4VA
Standstill Power	1-4VA
Output Angle	90° (95° Max)
Control Signal	DC0(2)-10V
Feedback Signal	DC0(2)-10V
Universal Coupling	Ø6-16mm or □5-11mm
Overload Protection	Automatic
Protection Class	IP54 / NEMA2
Ambient Conditions	-10°C - +55°C 0-90% Rh
Noise Level(Max)	40dB(A)
Weight	1.3 lb / .6 kg

BASIC FEATURES

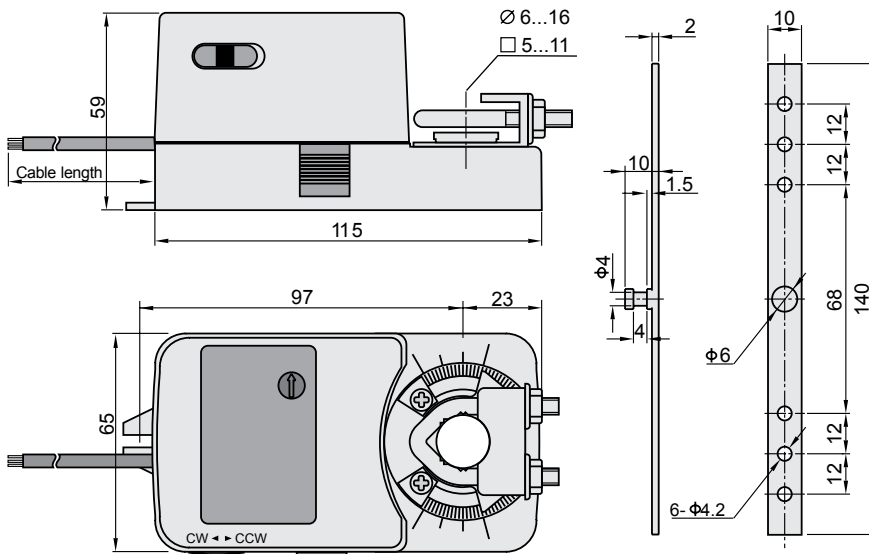
Type	Output/Hold Torque	Voltage	Control Signal	Operating Power	Standstill Power	Run Time*	Output Angle
EMO-35M-24	35in-lb(4Nm)	AC/DC24V	DC0(2)-10V	4VA	1-4VA	90s-110s	0-95°

*Dependent on load

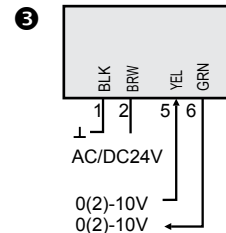
OPTIONAL FEATURES

Type	Descriptions
EMO-35MV-24	Direct mount for ball valve

DIMENSIONS (mm)



WIRING DESCRIPTIONS



Wiring Diagrams	Power Supply
EMO...-24	3 AC/DC24V



226201
Certified to UL 429
NRTL