

Floating & ON/OFF Control, 0-95° Output Angle, Auto Protection System, Universal Coupling



TECHNICAL DATA

Power Supply	AC/DC 24V±10%
Output Torque	35in-lb (4Nm)
Run Time*	90s-110s
Operating Power	4VA
Standstill Power	1-4VA
Output Angle	90° (95° Max)
Control Signal	Floating & 2 Point On/Off Control
Universal Coupling	Ø6-16mm or □5-11mm
Overload Protection	Automatic
Protection Class	IP54 / NEMA2
Ambient Conditions	-10°C - +55°C 0 - 90% Rh
Noise Level(Max)	40dB(A)
Weight	1.3 lb / .6 kg

BASIC FEATURES

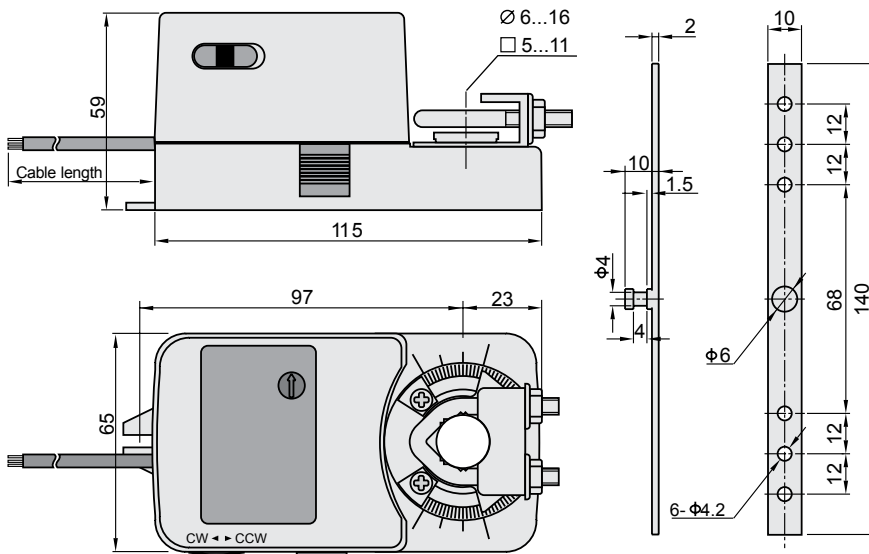
Type	Output/Hold Torque	Voltage	Control Signal	Operating Power	Standstill Power	Run Time*	Output Angle
EMO-35F-24	35in-lb(4Nm)	AC/DC24V	3 & 2 Point	4VA	1-4VA	90s-110s	0-95°

*Dependent on load

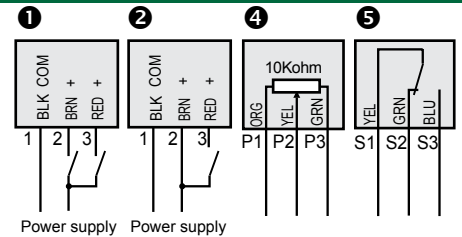
OPTIONAL FEATURES

Type	Descriptions
EMO-35F-24P	Potentiometer (10kohm)
EMO-35F-24S	Microswitch (3A, AC250V)
EMO-35FV-24	Direct Mount for ball valve

DIMENSIONS (mm)



WIRING DESCRIPTIONS



Wiring Diagrams		Power Supply
EMO...-24	1 or 2	AC/DC24V
EMO...-P	1 + 4	AC/DC24V
	2 + 4	AC/DC24V
EMO...-S	1 + 5	AC/DC24V
	2 + 5	AC/DC24V



C US
226201
Certified to UL 429
NRTL

CCW	CW	
1	2	3
BLK	BRN	RED
COM	+	+