



TECHNICAL DATA

Power Supply	AC/DC 24V±10%
Output Torque	350in-lb(38Nm)
Run Time*	150s-180s
Operating Power	6-8VA
Standstill Power	3VA
Output Angle	90° (95° Max)
Control Signal	DC0(2)-10V DC0(4)-20mA
Feedback Signal	DC0(2)-10V
Universal Coupling	Ø14-20mm or □10-14mm
Overload Protection	Automatic
Protection Class	IP54 / NEMA2
Ambient Conditions	-10°C - +55°C 0-90% Rh
Noise Level(Max)	40dB(A)
Weight	4.3 lb / 1.95 kg

BASIC FEATURES

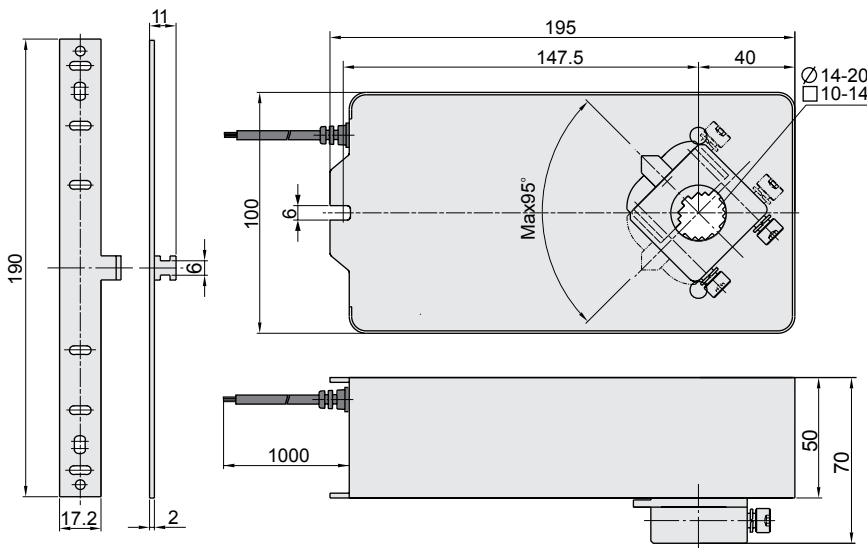
Type	Output/Hold Torque	Voltage	Control Signal	Operating Power	Standstill Power	Run Time*	Output Angle
EMO-350M-24	350in-lb(38Nm)	AC/DC24V	DC0(2)-10V DC0(4)-20mA	6-8VA	3VA	150s-180s	0...95°

*Dependent on load

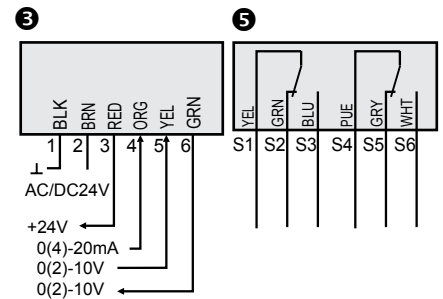
OPTIONAL FEATURES

Type	Descriptions
EMO-350M-24S	Microswitch (3A, AC250V)

DIMENSIONS (mm)



WIRING DESCRIPTIONS



226201
Certified to UL 429
NRTL

Wiring Diagrams	Power Supply
EMO...-24	3 AC/DC24V
EMO...-24S	3+5 AC/DC24V