

Floating & ON/OFF Control, 0-95° Output Angle, Auto Protection System, Universal Coupling



TECHNICAL DATA

Power Supply	AC/DC 24V±10%
Output Torque	350in-lb(38Nm)
Run Time*	150s-180s
Operating Power	6-8VA
Standstill Power	2VA
Output Angle	90° (95° Max)
Control Signal	Floating & 2 Point On/Off Control
Universal Coupling	Ø14-20mm or □10-14mm
Overload Protection	Automatic
Protection Class	IP54 / NEMA2
Ambient Conditions	-10°C - +55°C 0-90% Rh
Noise Level(Max)	40dB(A)
Weight	4.3 lb / 1.95 kg

BASIC FEATURES

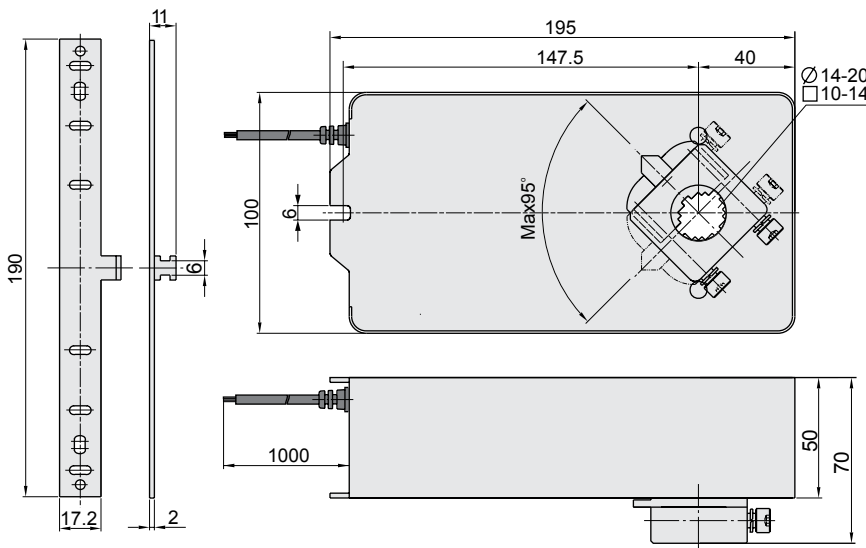
Type	Output/Hold Torque	Voltage	Control Signal	Operating Power	Standstill Power	Run Time	Output Angle
EMO-350F-24	350in-lb(38Nm)	AC/DC24V	3 & 2 Point	6-8VA	2VA	150s-180s	0-95°

*Dependent on load

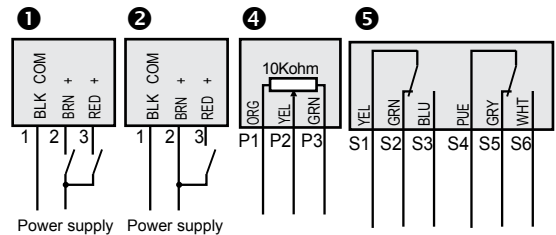
OPTIONAL FEATURES

Type	Descriptions
EMO-350F-24P	Potentiometer (10kohm)
EMO-350F-24S	Microswitch (3A, AC250V)

DIMENSIONS (mm)



WIRING DESCRIPTIONS



C US
226201
 Certified to UL 429
NRTL

Wiring Diagrams		Power Supply
EMO...-24	1 or 2	AC/DC24V
EMO...-P	1 + 4	AC/DC24V
	2 + 4	AC/DC24V
EMO...-S	1 + 5	AC/DC24V
	2 + 5	AC/DC24V

