



TECHNICAL DATA

Power Supply	AC/DC 24V±10%
Output Torque	210in-lb (25Nm)
Run Time	130s-150s
Operating Power	6-8VA
Standstill Power	2VA
Output Angle	90° (95° Max)
Control Signal	DC0(2)-10V DC0(4)-20mA
Feedback Signal	DC0(2)-10V
Universal Coupling	Ø14-20mm or □10-14mm
Overload Protection	Automatic
Protection Class	IP54 / NEMA2
Ambient Conditions	-10°C - +55°C 0-90% Rh
Noise Level(Max)	40dB(A)
Weight	4.2 lb / 1.9 kg

BASIC FEATURES

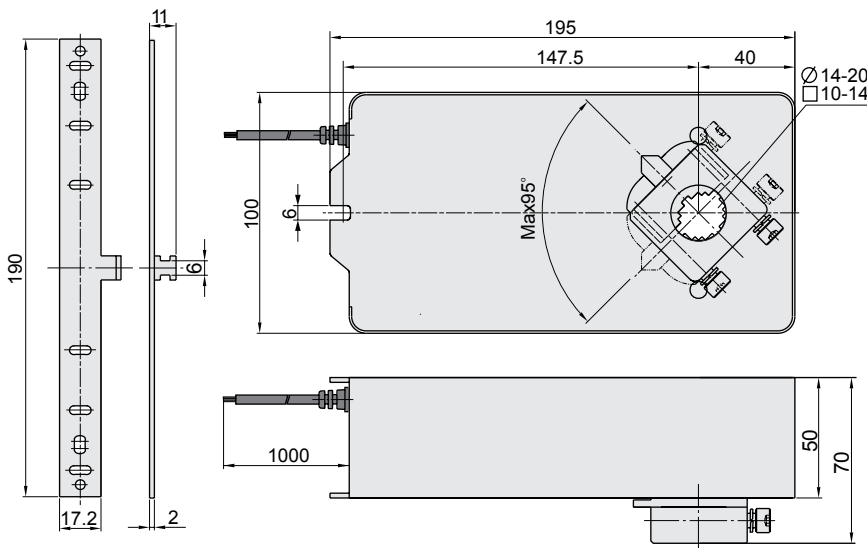
Type	Output/Hold Torque	Voltage	Control Signal	Operating Power	Standstill Power	Run Time*	Output Angle
EMO-210M-24	210in-lb(25Nm)	AC/DC24V	DC0(2)-10V DC0(4)-20mA	6-8VA	2VA	130s-150s	0-95°

*Dependent on load

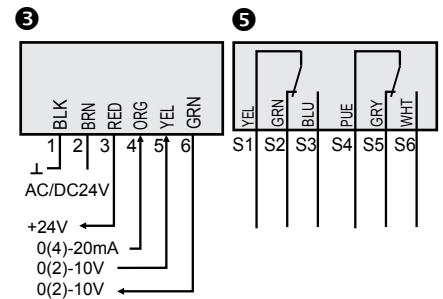
OPTIONAL FEATURES

Type	Descriptions
EMO-210M-24S	Microswitch (3A, AC250V)

DIMENSIONS (mm)



WIRING DESCRIPTIONS



C US
226201
Certified to UL 429
NRTL

Wiring Diagrams	Power Supply
EMO...-24	3 AC/DC24V
EMO...-24S	3+5 AC/DC24V