

Floating & ON/OFF Control, 0-95° Output Angle, Auto Protection System, Universal Coupling



### TECHNICAL DATA

Power Supply	AC/DC 24V±10%
Output Torque	210in-lb(25Nm)
Run Time*	130s-150s
Operating Power	6-8VA
Standstill Power	2VA
Output Angle	90° (95° Max)
Control Signal	Floating & 2 Point On/Off Control
Universal Coupling	Ø14-20mm or □10-14mm
Overload Protection	Automatic
Protection Class	IP54 / NEMA2
Ambient Conditions	-10°C - +55°C 0-90% Rh
Noise Level(Max)	40dB(A)
Weight	4.2 lb / 1.9 kg

### BASIC FEATURES

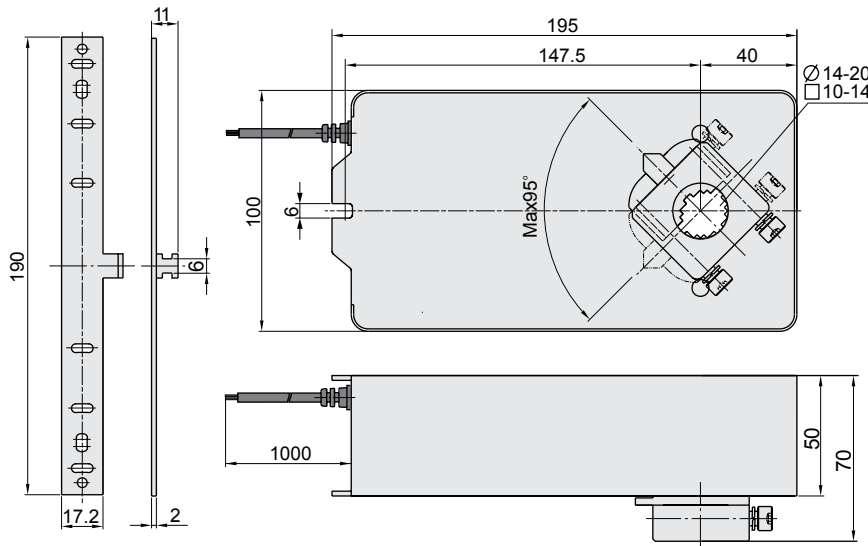
Type	Output/Hold Torque	Voltage	Control Signal	Operating Power	Standstill Power	Run Time*	Output Angle
EMO-210F-24	210in-lb(25Nm)	AC/DC24V	3 & 2 Point	6-8VA	2VA	130s-150s	0-95°

\*Dependent on load

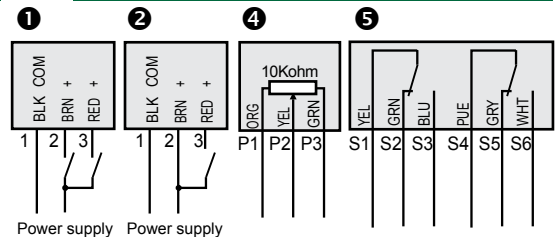
### OPTIONAL FEATURES

Type	Descriptions
EMO-210F-24P	Potentiometer (10kohm)
EMO-210F-24S	Microswitch (3A, AC250V)

### DIMENSIONS (mm)



### WIRING DESCRIPTIONS



Wiring Diagrams		Power Supply
EMO...-24	① or ②	AC/DC24V
EMO...-P	① + ④	AC/DC24V
	② + ④	AC/DC24V
EMO...-S	① + ⑤	AC/DC24V
	② + ⑤	AC/DC24V



226201  
Certified to UL 429  
NRTL

