



Standards:

- AWWA C504

Sizes:

- 3in (DN75) - 24in (DN600)

Pressure Ratings:

- 25 psi to 250 psi\*

Classifications:

- 25A, 25B, 75A, 75B, 150A, 150B, and 250B\*

Laying Lengths:

- AWWA C504 Short and Long Bodies

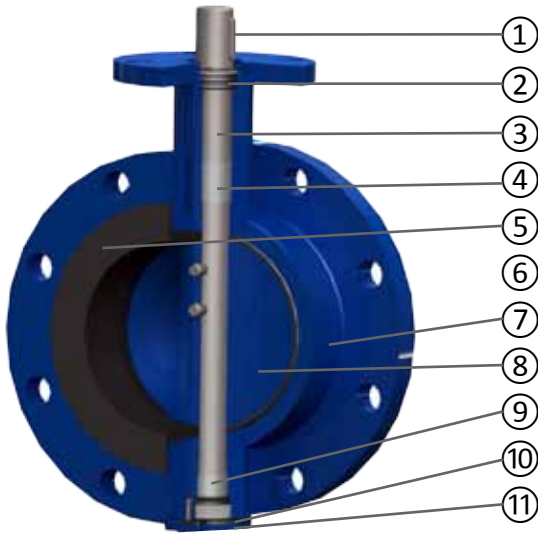
Connection Flange Options\*:

- ANSI/ASME B16.1 Class 125
- ANSI/ASME B16.5 Class 150
- AWWA C207

\*Other options available upon request

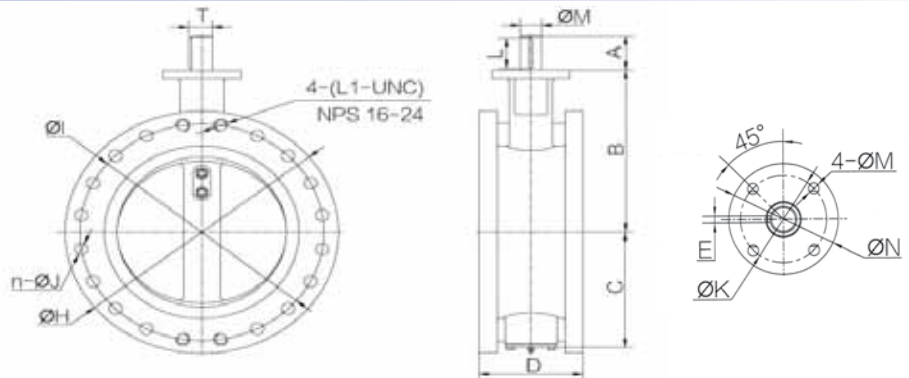
- The VSI Series AWWA C504 Butterfly Valve is designed for today's modern water and treatment plants. Our valves meet or exceed the current AWWA C504 standard.
- The Series AWWA C504 Butterfly Valve line has completed the AWWA Proof of Design tests, and every valve is tested at the factory. Bidirectional leakage testing is available upon request.
- VSI has NSF 61 Coatings available, as well as, several AWWA C550 certified coating options.
- Our self sealing stem seals provide excellent leakage protection at a fraction of the torque required compared to other methods.
- Stainless Steel backed PTFE stem bushings provide excellent lubrication with no maintenance requirements.
- With 304 Stainless Steel shafts and greater options, we can provide valves for just about any pressure requirements.
- Our standard EPDM seat provides maximum temperature ratings up to 250°F, well above the standard AWWA maximum temperature of 125°F. With our option of Viton™ or High Temp Viton™ seating material, our temperature ratings can reach up to 400°F.

### Materials List (NPS3 - NPS24)



No.	Name	Material	Options
1	Key	Carbon Steel	Stainless Steel
2	Stem Seals	EPDM	Buna-N, Viton, PTFE
3	Shaft	ASTM A276 304	ASTM A276 316, 17-4PH
4	Upper Bushing	SS + PTFE	Aluminum Bronze
5	Seat	EPDM	Buna-N, Viton GF
6	Taper Pins	ASTM A276 304	ASTM A276 316
7	Body	ASTM A536 65-45-12	ASTM A126 B, Cast Steel
8	Disc	ASTM A536 + SS316	Cast Stainless Steel, ASTM A126 B, Cast Steel
9	Lower Bushing	SS + PTFE	Aluminum Bronze
10	Bottom Gasket	EPDM	Buna-N, Viton, PTFE
11	Bottom Cover	ASTM A536 65-45-12	ASTM A126 B, Cast Steel

### Dimensional Data (NPS3 - NPS24)



DN	NPS	A	B	C	D	ØE	ØF	ØG	ØH	n-ØJ	ØI	T	L	4 X L1-UNC	N	M
80	3	39	159	90	127	90	69.9	8.8	190	4 X Ø19.05	152	15.7	32	---	3.18	14.3
100	4	39	178	101	127	90	69.9	8.8	230	8 X Ø19.05	191	17.89	40	---	4.76	15.9
150	6	52	203	149	127	150.1	125.7	14.3	280	8 X Ø22.23	241	31.39	40	---	6.38	28.6
200	8	52	242	159	152	150.1	125.7	14.3	345	8 X Ø22.23	299	31.39	66	---	6.35	28.6
250	10	76	274	195	203	150.1	125.7	14.3	405	12 X Ø25.4	362	38.44	66	---	7.94	34.9
300	12	76	313	231	203	150.1	125.7	14.3	485	12 X Ø25.4	432	38.44	66	---	7.94	34.9
350	14	76	356	261	203	150.1	125.7	14.3	535	12 X Ø28.58	476	45.47	66	---	9.53	41.3
400	16	76	382	288	203	209.6	165.1	20.6	595	12 X Ø28.58	540	53.11	66	4 x 1-8UNC	12.7	47.6
450	18	89	420	330	203	209.6	165.1	20.6	635	12 X Ø31.75	578	61.19	80	4 x 1½-7UNC	12.7	57.2
500	20	89	459	362	203	209.6	165.1	20.6	700	16 X Ø31.75	635	61.19	80	4 x 1½-7UNC	12.7	57.2
600	24	89	572	421.4	203	209.6	165.1	20.6	815	16 X Ø34.93	749	61.19	80	4 x 1¼-7UNC	12.7	57.2

### Torque Information

DN	80	100	150	200	250	300	350	400	450	500	600
NPS	3	4	6	8	10	12	14	16	18	20	24
<b>150B (ft-lb)</b>	15	26	55	111	162	406	494	679	1014	1394	2102
<b>250B (ft-lb)</b>	41	48	111	203	370	673	789	1086	1413	1911	2841